

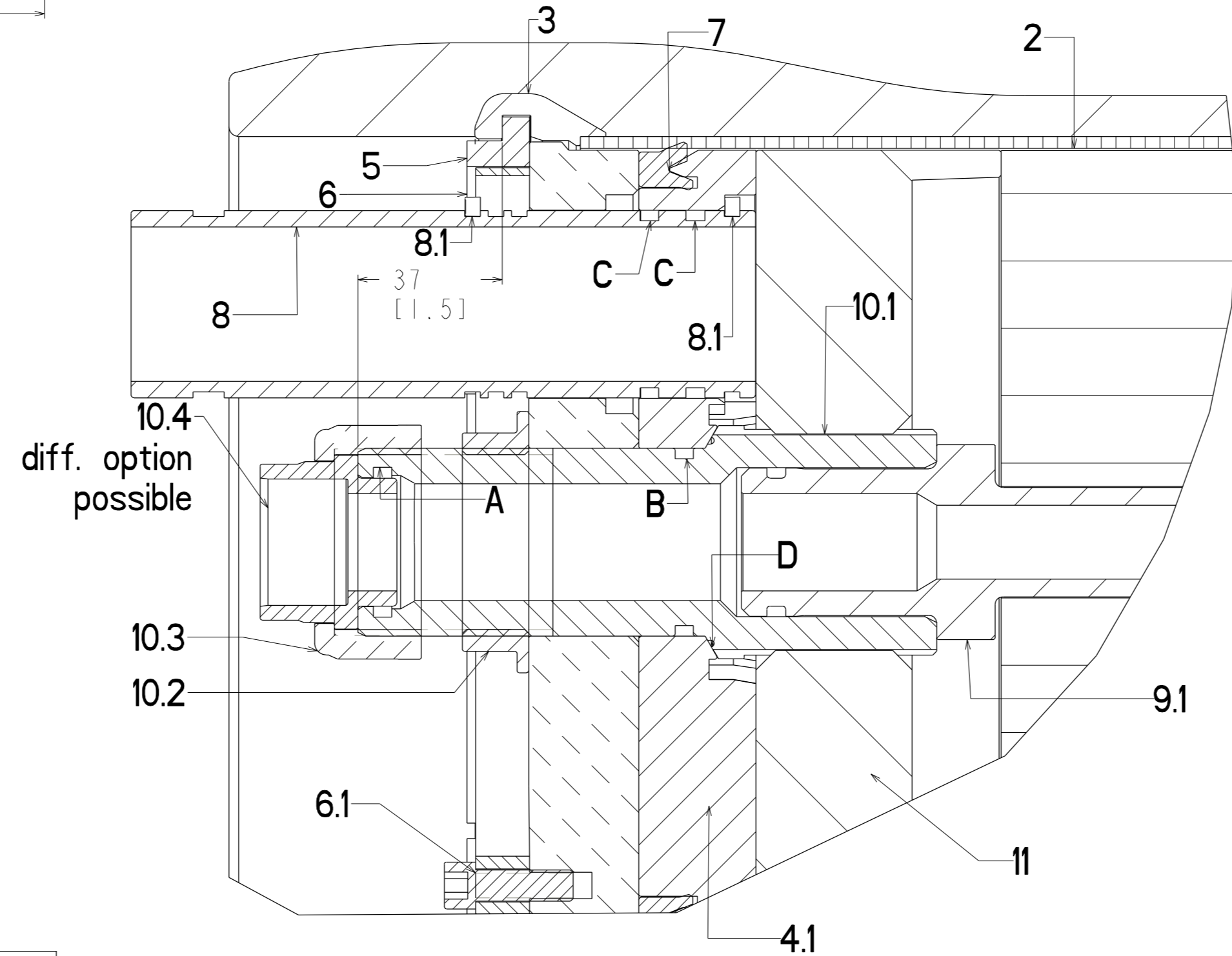
AnyChem

allow min.: 256 [10.1]

DS 450-1650mm

SECTION X-X

OPTION
#9.3 9.4 9.5
can be replaced
by
open PermPort



REF	PART NAME	PART #	MATERIAL
1	Shell		FRP
2	Liner		PVC
3	Grooving		Alu/SS**
HEAD			
4.1	Frontplate	78FP-M-BW	ALU
4.2	Backplate	78BPL-V2s	PP/GF
5	Retaining Ring Endplate	68SEC	ALU
6	Locking Ring	68SECCLOCK	PA
6.1	Screws for Locking Ring	58SCR8/25	316TI
7	Lip Ring	78LIP	EPDM
PORTS			
8	HP-PORT	78HP160	316L
8.1	Retaining Ring for HP-Port	68SEC45	PA
10.1	Permeate Port Body	78PP/B2	PP/GF
10.2	Retaining Nut 1.5in	78NUT15Z	PVC PA
10.3	PP Adapter Nut	78UN/S15	PVC PA
10.4	PP Adapter	78UN/Exx	PVC
ELEMENT INTERFACE			
9.1	Element Adapter open	78ADxx	PP/GF
9.2	Element Adapter closed	78ADxx/C	PP/GF
9.5	Plug Set for chiming	18PP/CH-V2	PVC/TPE
SUPPORT			
11	Element Spacer	78SPACE_FP	PP/GF
12	Saddle	58SADDLE	PA PP
13	STRAP	18STRAP	PP/PA/TPE/304

O-Rings / Endplate			
A	O-Ring 32.9x3.5	1	EPDM
B	O-Ring 41.28x3.5	1	EPDM
C	O-Ring 41.28x3.5	2	EPDM
D	O-Ring 49.2x1.8	1	EPDM
E	O-Ring 32.9x3.5	1	EPDM

use only glycerine for lubrication of sealing parts
never use vaseline

Dimensions SERIES 8 inch FRONT ENTRY							
Supplied marked x	Elem.	Vessel #	L-Stich [mm]	L-Stich [inch]	L-HP [mm]	L-HP [inch]	To L-Stich [mm]---[inch]
	1x40	RO8Z1M40-V2P-42	1286	50.63	1476	58.11	-3/+5 (0.12/0.2)
	2x40	RO8Z2M40-V2P-42	2302	90.63	2492	98.11	-3/+5 (0.12/0.2)
	3x40	RO8Z3M40-V2P-42	3318	130.63	3508	138.11	-3/+5 (0.12/0.2)
	4x40	RO8Z4M40-V2P-42	4334	170.63	4524	178.11	-3/+5 (0.12/0.2)
	5x40	RO8Z5M40-V2P-42	5350	210.63	5540	218.11	-3/+6 (0.12/0.24)
	6x40	RO8Z6M40-V2P-42	6366	250.63	6556	258.11	-3/+6 (0.12/0.24)
	7x40	RO8Z7M40-V2P-42	7382	290.63	7572	298.11	-3/+6 (0.12/0.24)

We recommend:
1 to 4 elements 2saddles and 2 straps
5 to 7 elements 3saddles and 2 straps
Vessels for 60inch elements are available
Dimensions are in mm
Values in brackets [] are in inch

Important Note:
Dimensions may be subject to be changed.
Drawing not to be used for construction unless certified

Max. Working Pressure (bar/PSI)	42 /600
Max. Working Temp. (°C / °F)	65 /150
Min. Working Temp. (°C / °F)	2 /36
Max Test Pressure ASME X* (bar/PSI)	46.2 /660

** option
*starting 01.01-16
PP/GF parts can be replaced withHIPS/GF
PVC-Liner can be replaced by HIPS
without further notice

600PSI		PAGE: 1/1		AnyChem ™ Pressure Vessels by Knappe Composites	
Eng. Mgr	AssRev	DATUM:	REV:	SERIES 8 inch -- FRONT ENTRY	
SIG:		02.03.06	4		
		01.01.16	5		
Name		R08ZM40-V2P-42_R5		Scale: none	