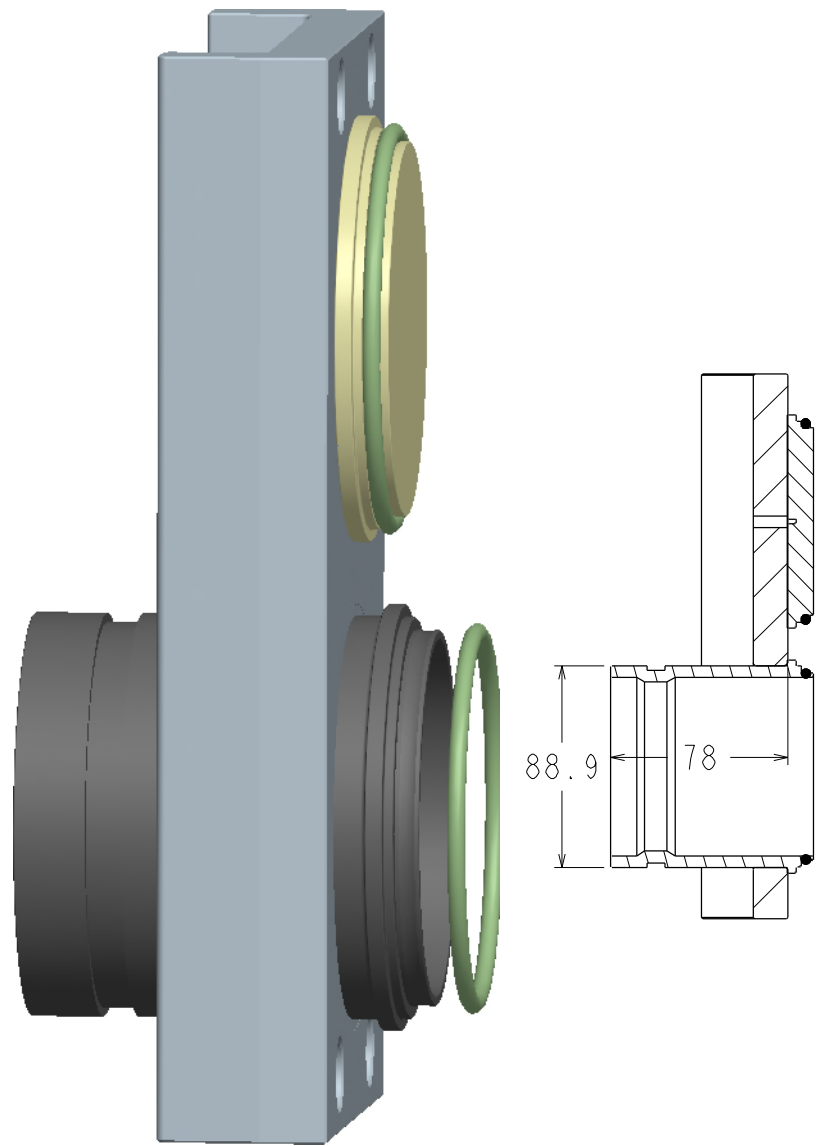
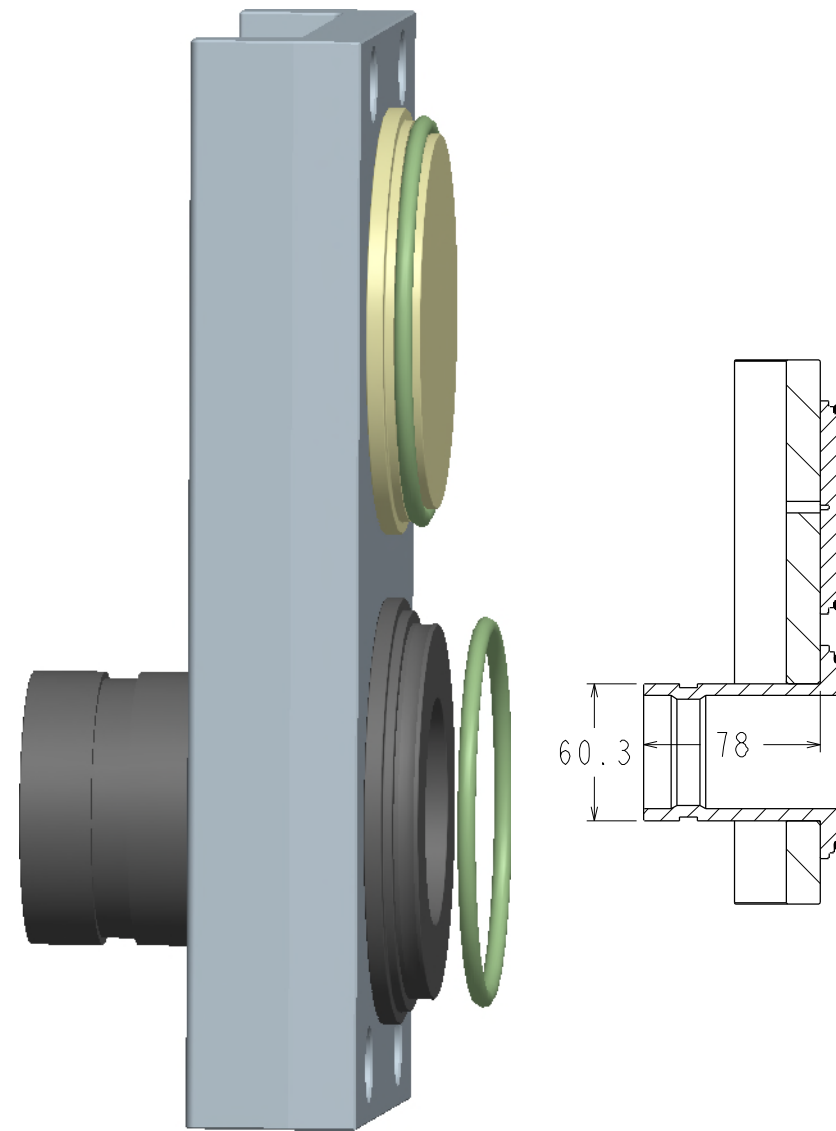


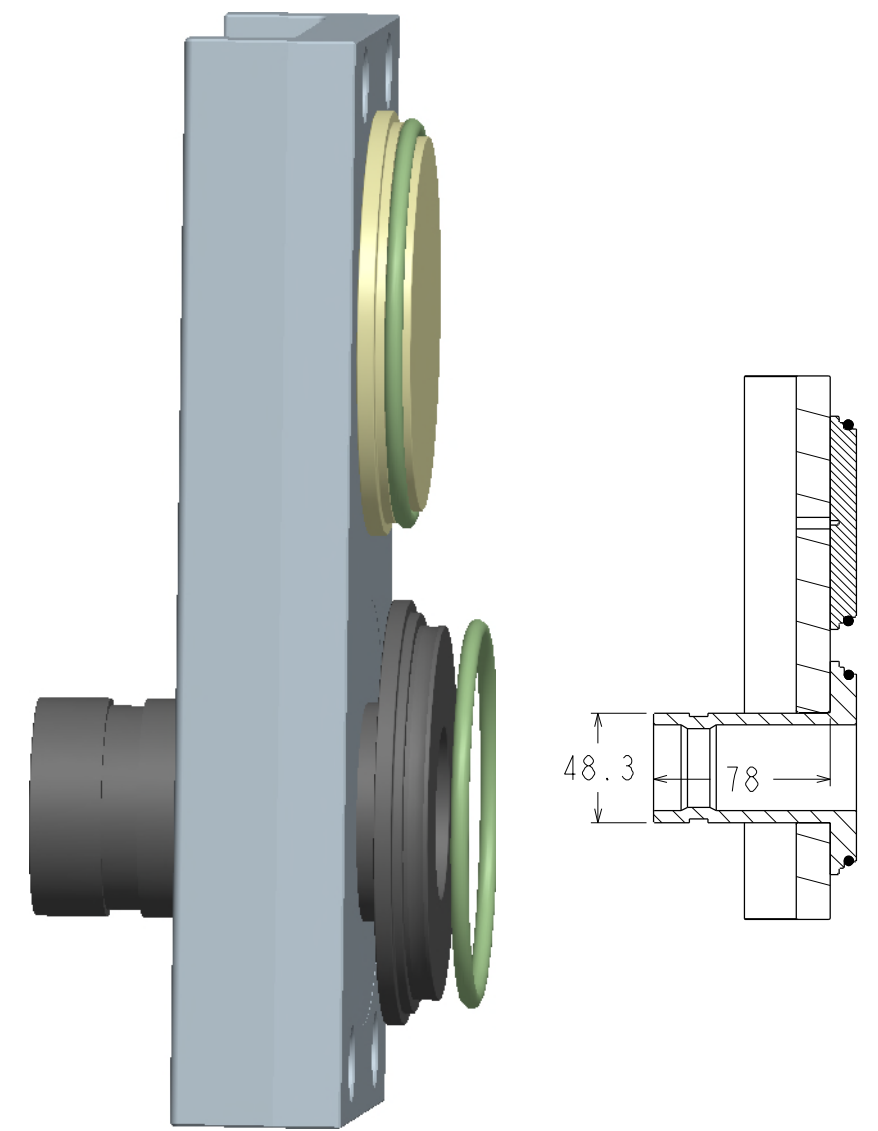
A8HP/Q3/PP/xW



A8HP/Q3/PP/red2/xW



A8HP/Q3/PP/red1.5/xW



BOM-A8HP-Port		Material - - Weight			
Part #	Index	Material	Mat.ACS	Qty	Weight[kg]
78HP-Q3LP	1	PVC	KNPP_02	1	0.171
78HPBACK-Q3/CL	2	PVC	KNPP_02	1	0.097
	3	AL6082		1	1.270
Total					1.5

BOM-A8HP-Port		Material - - Weight			
Part #	Index	Material	Mat.ACS	Qty	Weight[kg]
78HP-Q3LP	1	PVC	KNPP_02	1	0.171
78HPBACK-Q3/CL	2	PVC	KNPP_02	1	0.097
	3	AL6082		1	1.270
Total					1.5

BOM-A8HP-Port		Material - - Weight			
Part #	Index	Material	Mat.ACS	Qty	Weight[kg]
78HP-Q3LP	1	PVC	KNPP_02	1	0.171
78HPBACK-Q3/CL	2	PVC	KNPP_02	1	0.097
	3	AL6082		1	1.270
Total					1.5

BOM/O-Ring				
Part #	Index	Material	Qty	Dimensions
OR78X4	1	EPDM	2	78x4

### Knappe Composites

		Mat:	
		DATUM:	REV:
A8HP_Q3_PP_xW		06.08.18	1
A8HP_Q3_PP_red2_xW			
A8HP_Q3_PP_red1.5_xW			
Name	A8HP_Q3_PP_XW_PUBLIC	Page	1/1