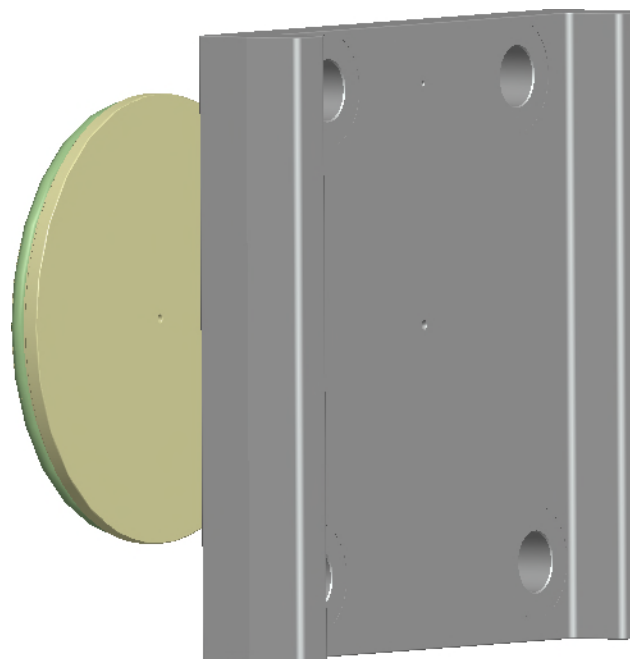
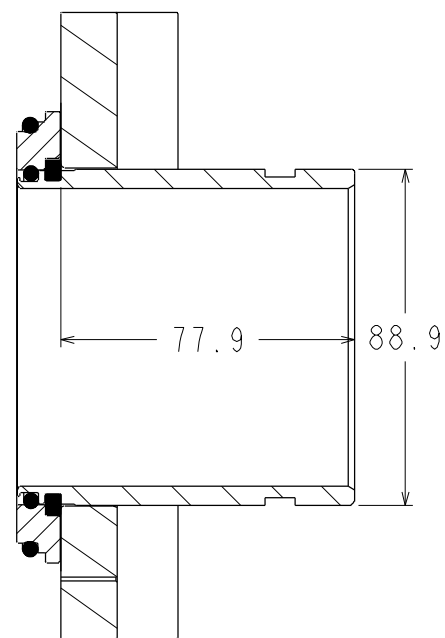
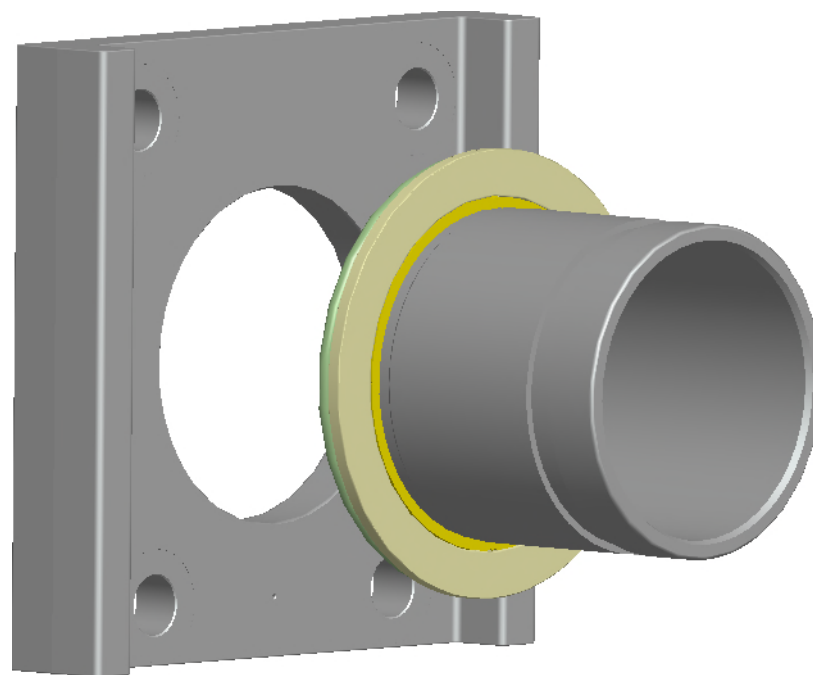


A8HP_Q4SW

Part #	Index	Material	Qty	Weight[kg]
78HP_4IN_XW	1	316/2507	1	1.073
78HPSEC_4IN	2	SS_316L	2	0.059
78KPLATE_Q4SW	3	AL6082	1	0.896
Total				2.0

A8HP_Q4_RED2_xW

Part #	Index	Material	Qty	Weight[kg]
78HP_2IN_XW	1	316/2507	1	0.541
78HPBACK_Q4_RED2	2	PVC	1	0.115
78HPSEC_2IN	3	SS_316L	2	0.031
78KPLATE_Q4_RED2_SW	4	AL6082	1	1.196
Total				1.9



A8HP_Q4_RED3_xW

Part #	Index	Material	Qty	Weight[kg]
78HP_3IN_XW	1	316/2507	1	0.822
78HPBACK_Q4_RED3	2	PVC	1	0.058
78HPSEC_3IN	3	SS_316L	2	0.045
78KPLATE_Q4_RED3_SW	4	AL6082	1	1.060
Total				2.0

A8HP_Q4_CL_xW

Part #	Index	Material	Qty	Weight[kg]
78HP_4IN_XW	1	316/2507	1	1.073
78HPSEC_4IN	2	SS_316L	2	0.059
78KPLATE_Q4SW	3	AL6082	1	0.896
Total				2.0

Knappe Composites

		Mat:	
A8HP_Q4xW		DATUM:	REV:
A8HP-Q4_red3_xW		16.10.18	1
A8HP-Q4_red2_xW			
A8HP-Q4_CL_xW			
Name	A8HP_Q4SW_PUBLIC	Page	1/1