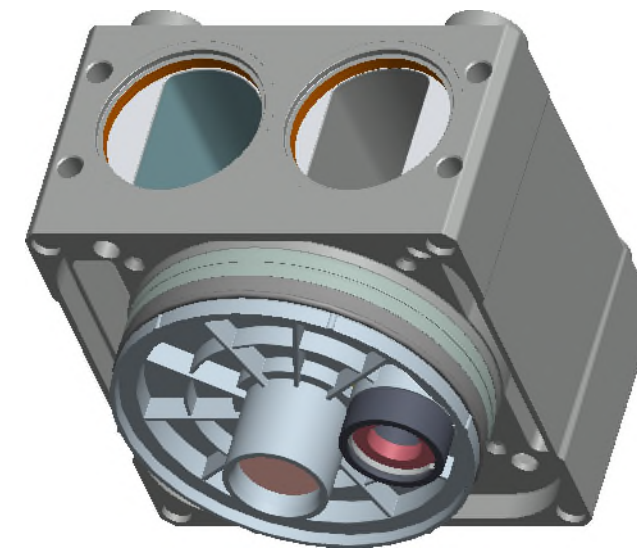


A8HEAD_Q3BW-F				
POS	Part #	Description	Material	Qty
2.00	i8Head/Q3xW		PP_10GLASS	1
4.10	78BPL/Q3		KNPP_05	1
4.40	78BPLDIST/Q3	distance plate	KNPP_05	2
5.00	78NUT05Z	nut for compress.bar	PA	1
5.20	78BPL-BAR/CL	compression bar	KNPP_05	1
7.00	78Lip/XT	lipring	TF	1
8.00	78HPint/Q3	internal HP port	PVC	1
8.10	68SEC45PP	clip ring 45mm	KNPP_05	1
8.20	78HP/QXDIA	flow regulator	KNPP_05	1
9.30	78AD/Q3/XT	P-plug for Q3 head	PVC	1



BOM/O-Ring				
Part #	Index	Material	Qty	Dimensions
2-208	1	EPDM	2	15.47 x 3.53
2-223	2	EPDM	6	40.87 x 3.53
OR42X4	3	EPDM	1	42x4

*option
 ** used when
 Permeate is on Brine side

Knappe Composites



		Mat:	
		DATUM:	REV:
A8HEAD_Q3BW-F & A8HEAD_Q3SW-F Feed-close		25.06.18	5
		15.04.19	7
Name	EXPLODE_A8HEAD_Q3BW-F_PUBLI.C	Page	1 / 1