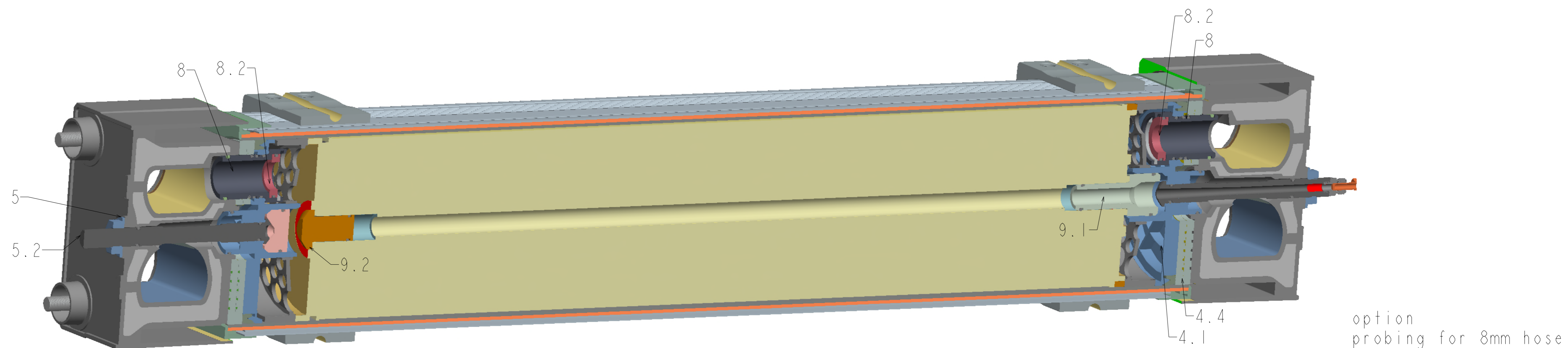


Feed and Brine port can be also installed in bottom position



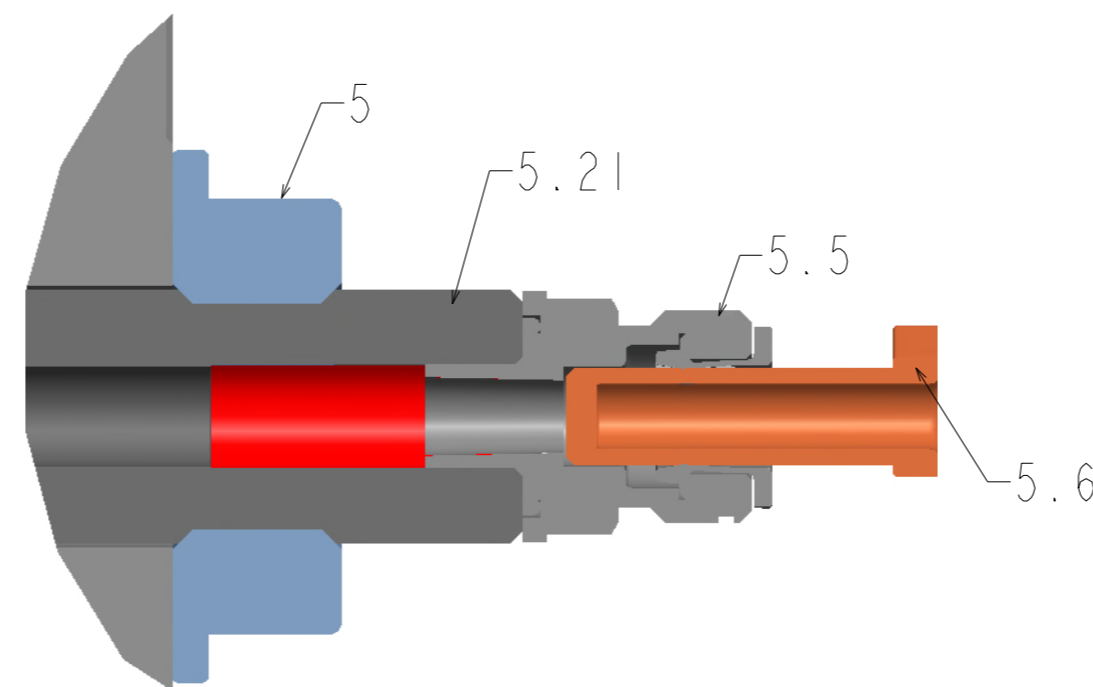
Pos	PART #	PART #	MATERIAL
<b>ELEMENT INTERFACE</b>			
9.1**	78ADQxx		PVC*
9.2**	78ADQxx/C		PVC*
9.3**	78AD_Q3_BPL-Plug		PVC
<b>SUPPORT</b>			
11	78SPACE_XP	Spacer downstream	KNPP_05
11.1	78Space_Q4	diffuser feed	KNPP_05
12	A8Saddle_XT	Saddle	KFNI525

\* possible replacement without notice : PVC with KNPP

A8HEAD_Q3SW				
POS	Part #	Description	Material	Qty
4.10	78BPL/Q3	sealing plate	HIPS	1
4.40	78BPLDIST-Q3	distance plate	RYPP_02	2
5.00	78NUT05Z	nut for compress.bar	PA-GF	1
5.21	78BPL-bar	compress.bar	PPE_PS20	1
5.50	78PSADG1/4	probing 1/4BSP-hose 8mm	POM	1
5.60	78PS8PLUG	plug for probing fitting	POM	1
7.00	78Lip-XT	Lip seal for head	TPE_LTP	1
8.00	78HPint-Q3	internal HP port	PVC	1
8.10	68SEC45PP*	clip ring 45mm (optional)	KNPP_02	1
8.20	78HP/QXDIA*	flow regulator (optional)	PVC	1

A8HEAD_Q3SW-F				
POS	Part #	Description	Material	Qty
4.10	78BPL/Q3	sealing plate	HIPS	1
4.40	78BPLDIST-Q3	distance plate	RYPP_02	2
5.00	78NUT05Z	nut for compress.bar	PA-GF	1
5.20	78BPL-BAR/CL	compression bar	PPE_PS20	1
7.00	78Lip-XT	Lip seal for head	TPE_LTP	1
8.00	78HPint-Q3	internal HP port	PVC	1
8.10	68SEC45PP*	clip ring 45mm (optional)	KNPP_02	1
8.20	78HP/QXDIA*	flow regulator (optional)	PVC	1

\*\* optional (different sizes available)  
Liner: PVC or PP without notice



BOM/O-Ring (element adapter excl.)					
Part #	Index	Material	Qty	Dimensions	
2-208	1	EPDM	4	15.47	x 35.3
2-213	2	EPDM	4	23.39	x 35.3
2-223	3	EPDM	13	40.87	x 35.3
OR42X4	4	EPDM	2	42x4	

Please read installation & operation manual  
do not use hydrocarbonic chemicals nor vaseline  
use only glycerin for O-ring lubrication

Max: Working Pressure (bar/PSI)	84/1200
Max. Working Temp. (°C / °F)*	45 / 113
Min. Working Temp. (°C / °F)*	2 / 36
Max. Test Pressure acc. (ASME X) (bar/PSI)	92.5/1320

short term steam sanitizing possible

Assembly #	weight[kg]
BODY	35
TIEBAR	19
PARTS	30

Xtype Q3SW Dimensions - SERIES 8 inch						
Supplied marked	Elem. 40in	Vessel #	L-HP [mm]	weight [kg]	saddles [pcs]	Tot L-HP [mm]
X	1	XT8Z6M-Q3SW	1331	65	2	-1.5/+1.5

SW 0-84bar		PAGE: 1/2	
Eng. Mgr	SIG:	AssRev	REV:
		DATUM:	
		03.12.15	1
		26.03.19	3
		02.03.21	3-1
		16.09.21	4

**AnyChem**  
by **Knappe Composites**™  
Pressure Vessels

XT8ZIM-Q3SW

Name	XT8ZIM-Q3SW_R4	Scale: none
------	----------------	-------------