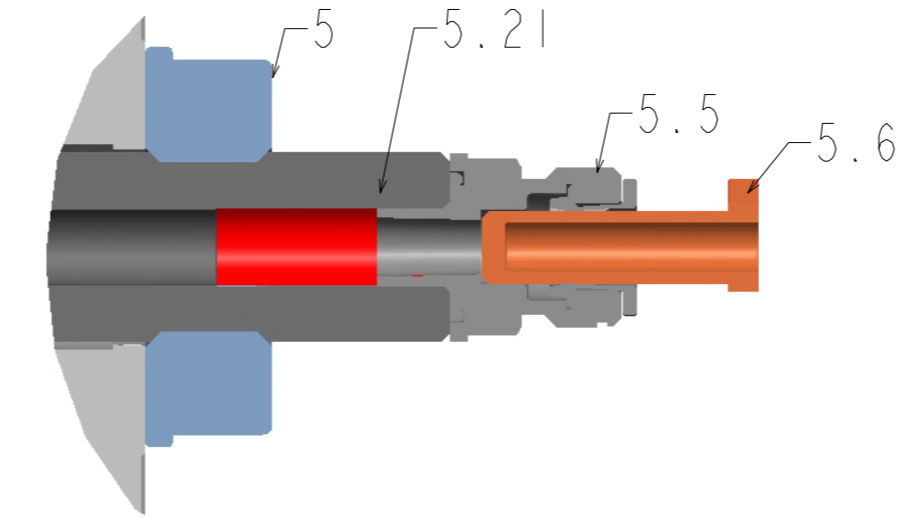
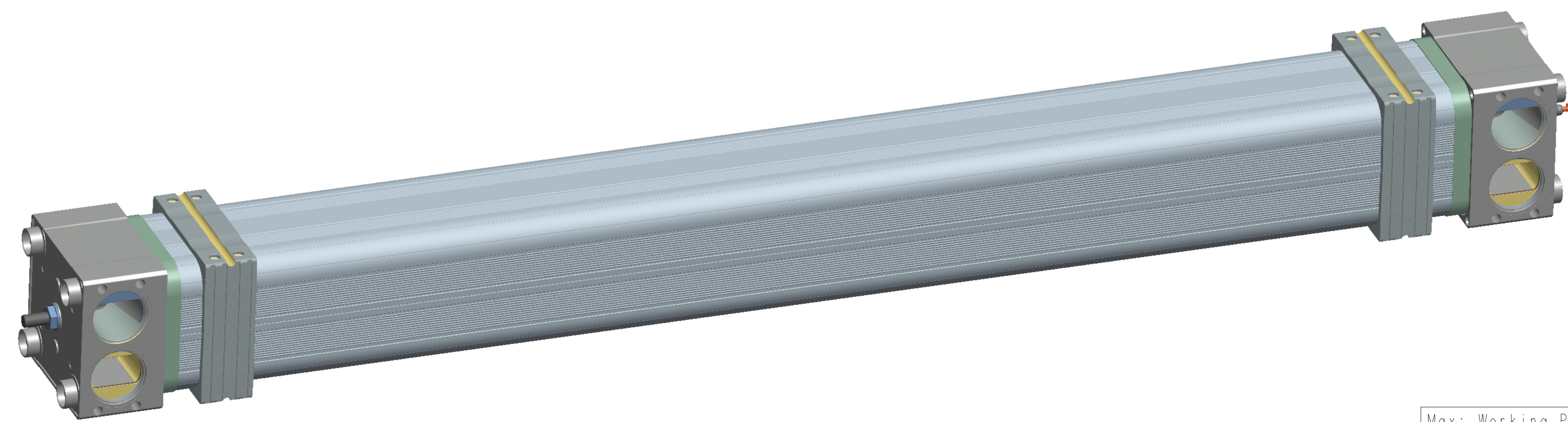


Pos	PART #	PART #	MATERIAL
ELEMENT INTERFACE			
9.1**	78ADQxx		PVC*
9.2**	78ADQxx/C		PVC*
9.3**	78AD_Q3_BPL-Plug		PVC
SUPPORT			
11	78SPACE_XP	Spacer downstream	KNPP_05
11.1	78Space_Q4	diffuser feed	KNPP_05
12	A8Saddle_XT	Saddle	KFN1525
* possible replacement without notice : PVC with KNPP			

A8HEAD_Q3BW				
POS	Part #	Description	Material	Qty
3.00	DinI27_mI2	spring washer	SS	4
3.10	Nut DIN934_mI2	nut	SS_316L	4
4.10	78BPL/Q3	sealing plate	HIPS	1
4.40	78BPLDIST-Q3	distance plate	RYPP_02	2
5.00	78NUT05Z	nut for compress.bar	PA-GF	1
5.21	78BPL-bar	compress.bar	PPE_PS20	1
5.50	78PSADG1/4	probing 1/4BSP-hose 8mm	POM	1
5.60	78PS8PLUG	plug for probing fitting	POM	1
7.00	78Lip-XT	Lip seal for head	TPE_LTP	1
8.00	78HPint-Q3	internal HP port	PVC	1
8.10	68SEC45PP*	clip ring 45mm (optional)	KNPP_02	1
8.20	78HP/QXDIA*	flow regulator (optional)	PVC	1
A8HEAD_Q3BW-F				
POS	Part #	Description	Material	Qty
3.00	DinI27_mI2	spring washer	SS	4
3.10	Nut DIN934_mI2	nut	SS_316L	4
4.10	78BPL/Q3	sealing plate	HIPS	1
4.40	78BPLDIST-Q3	distance plate	RYPP_02	2
5.00	78NUT05Z	nut for compress.bar	PA-GF	1
5.20	78BPL-BAR/CL	compression bar	PPE_PS20	1
7.00	78Lip-XT	Lip seal for head	TPE_LTP	1
8.00	78HPint-Q3	internal HP port	PVC	1
8.10	68SEC45PP*	clip ring 45mm (optional)	KNPP_02	1
8.20	78HP/QXDIA*	flow regulator (optional)	PVC	1
9.30	78AD/Q3/XT	P-plug for Q3 head	PVC	1

** optional (different sizes available)
* optional to be orderd separately



DETAIL A
SCALE 1.200

BOM/O-Ring				
Part #	Index	Material	Qty	Dimensions
2-208	1	EPDM	4	1547 x 353
2-213	2	EPDM	2	2339 x 353
2-223	3	EPDM	12	4087 x 353
OR42X4	4	EPDM	2	42x4

Please read installation & operation manual
do not use hydrocarbonic chemicals nor vaseline
use only glycerin for O-ring lubrication

weights [kg]	
SUW_BODY	22
SUW_TIEBAR	18
SUW_PARTS	27

Max: Working Pressure (bar/PSI)	31/450
Max. Working Temp. (°C / °F)*	45 / 113
Min. Working Temp. (°C / °F)*	2 / 36
Max Test Pressure acc. (ASME X) (bar/PSI)	34.1/495
short term steam sanitizing possible	

Dimensions Xtype Q3-SERIES 8 inch BW						
Elem.	Vessel #	L-HP [mm]	L-body [mm]	weight [kg]	saddles [pcs]	Tot L-HP [mm]
2	XT8Z2M-Q3BW	2346	2216	table	2	-1/+1 for1-4el

BW		PAGE: 1/2		AnyChem by Knappe Composites		Pressure Vessels	
Eng. Mgr	SIG:	AssRev	DATUM:	REV:	XT8Z2M-Q3BW		
			05.02.17	2			
			22.03.19	3			
			16.09.21	4			
Name		XT8Z2M-Q3BW_R4		Scale: none			