

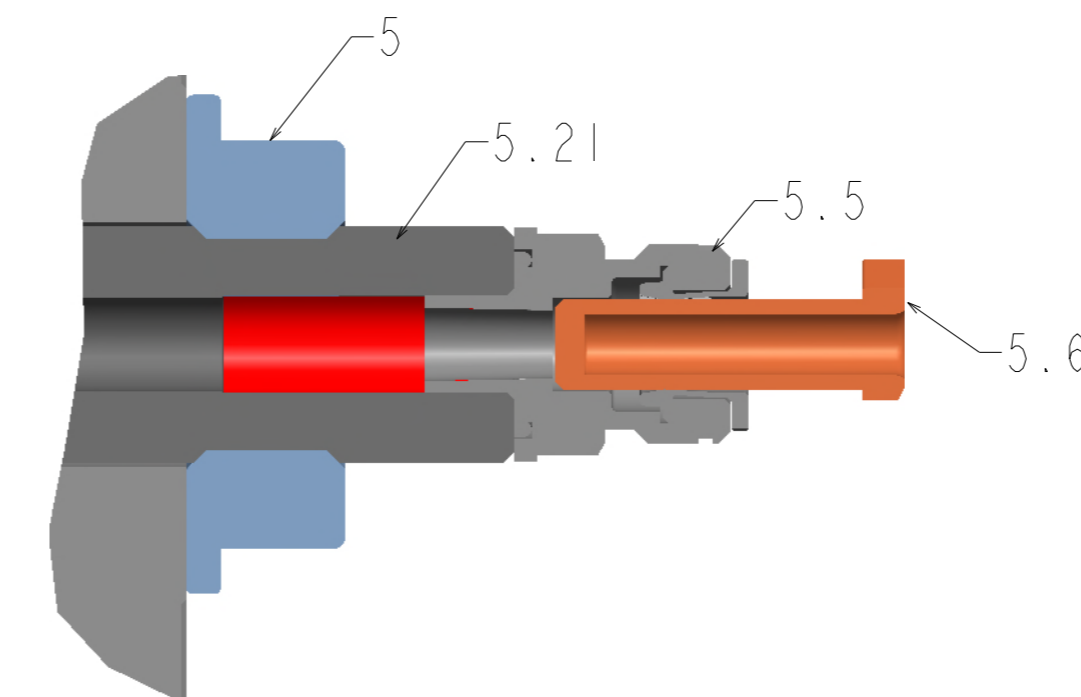
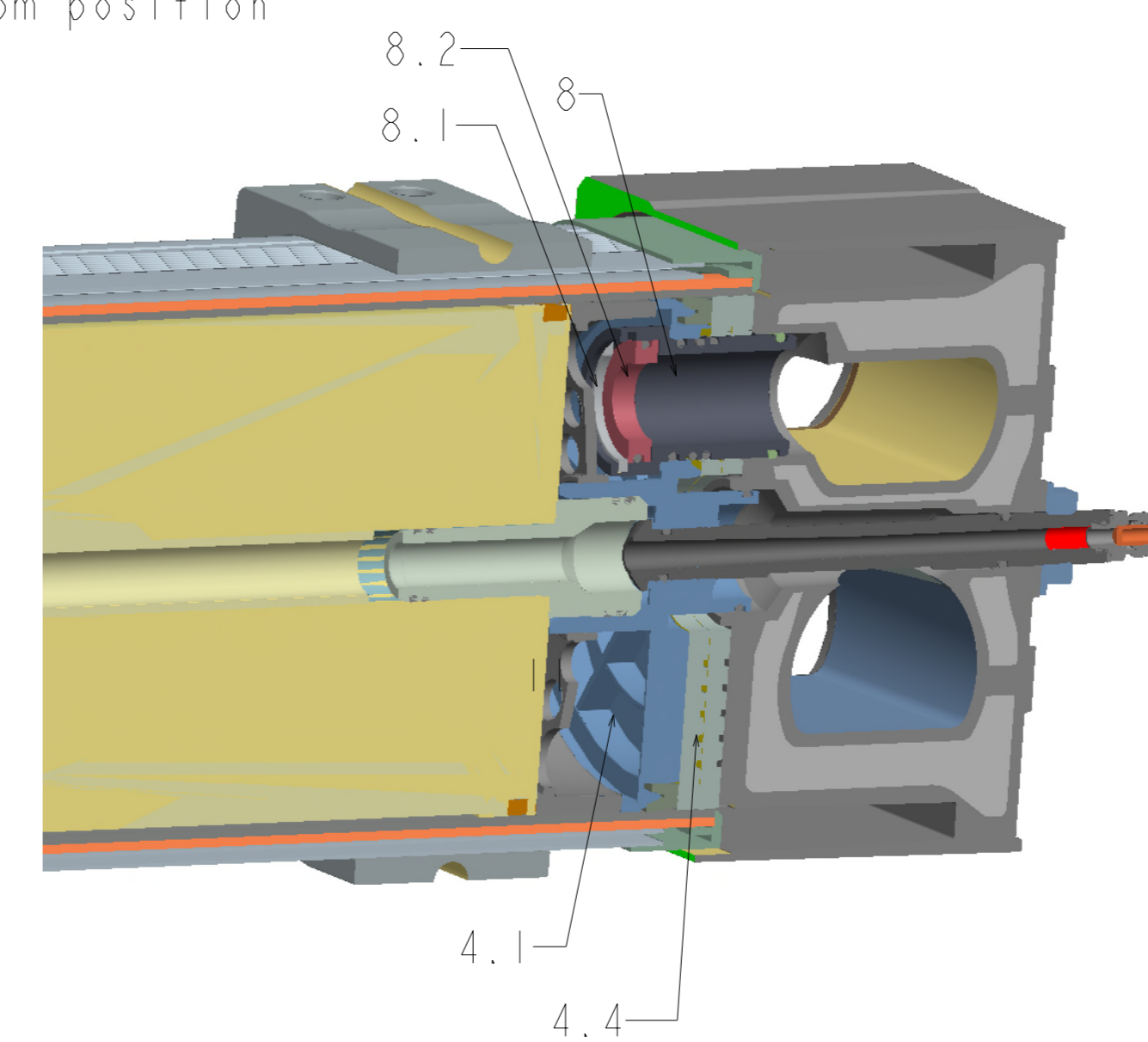
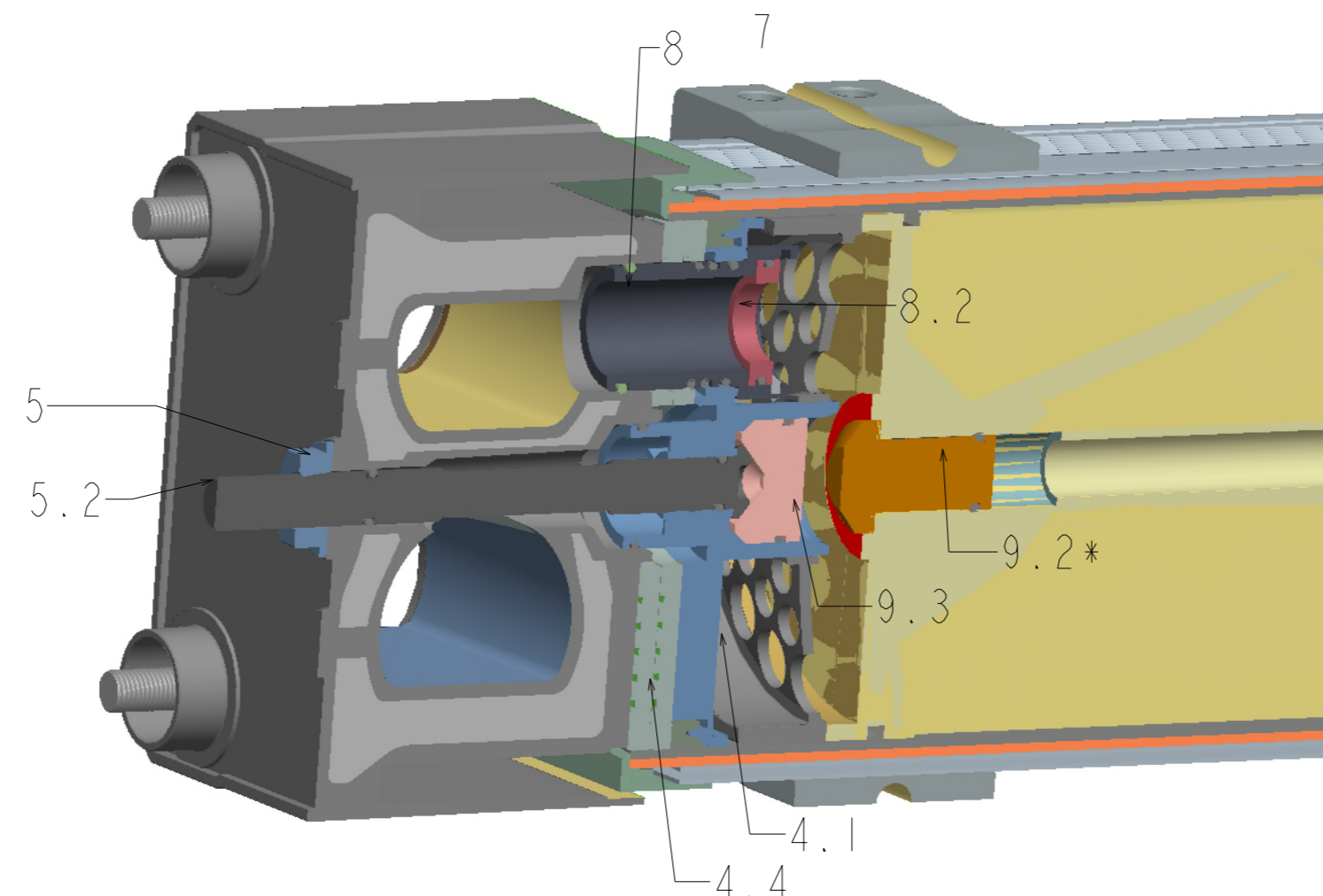
Feed and Brine port can be also installed in bottom position

5.21 +
probing for 8mm hose
(other options available)

Pos	PART #	PART #	MATERIAL
ELEMENT INTERFACE			
9.1**	78AD0xx		PVC*
9.2**	78AD0xx/C		PVC*
9.3**	78AD_Q3_BPL-Plug		PVC
SUPPORT			
11	78SPACE_XP	Spacer downstream	KNPP_05
11.1	78Space_Q4	diffuser feed	KNPP_05
12	A8Saddle_XT	Saddle	KFNI525
* possible replacement without notice : PVC with KNPP			

A8HEAD_Q3SW				
POS	Part #	Description	Material	Qty
4.10	78BPL/Q3	sealing plate	HIPS	1
4.40	78BPLDIST-Q3	distance plate	RYPP_02	2
5.00	78NUT05Z	nut for compress.bar	PA-GF	1
5.21	78BPL-bar	compress.bar	PPE_PS20	1
5.50	78PSADG1/4	probing 1/4BSP-hose 8mm	POM	1
5.60	78PS8PLUG	plug for probing fitting	POM	1
7.00	78Lip-XT	Lip seal for head	TPE_LTP	1
8.00	78HPint-Q3	internal HP port	PVC	1
8.10	68SEC45PP*	clip ring 45mm (optional)	KNPP_02	1
8.20	78HP/QXDIA*	flow regulator (optional)	PVC	1

A8HEAD_Q3SW-F				
POS	Part #	Description	Material	Qty
4.10	78BPL/Q3	sealing plate	HIPS	1
4.40	78BPLDIST-Q3	distance plate	RYPP_02	2
5.00	78NUT05Z	nut for compress.bar	PA-GF	1
5.20	78BPL-BAR/CL	compression bar	PPE_PS20	1
7.00	78Lip-XT	Lip seal for head	TPE_LTP	1
8.00	78HPint-Q3	internal HP port	PVC	1
8.10	68SEC45PP*	clip ring 45mm (optional)	KNPP_02	1
8.20	78HP/QXDIA*	flow regulator (optional)	PVC	1



** optional (different sizes available
Liner: PVC or PP without notice

BOM/O-Ring (element adapter excl.)				
Part #	Index	Material	Qty	Dimensions
2-208	1	EPDM	4	1547 x 353
2-213	2	EPDM	4	2339 x 353
2-223	3	EPDM	13	4087 x 353
OR42X4	4	EPDM	2	42x4

Please read installation & operation manual
do not use hydrocarbonic chemicals nor vaseline
use only glycerin for O-ring lubrication

Max. Working Pressure (bar/PSI)	84/1200
Max. Working Temp. (°C / °F)*	45 / 113
Min. Working Temp. (°C / °F)*	2 / 36
Max. Test Pressure acc. (ASME X) (bar/PSI)	92.5/1320
short term steam sanitizing possible	

Xtype Q3SW Dimensions - SERIES 8 inch					
Element	Vessel #	L-HP [mm]	weight [kg]	saddles [pcs]	Tol L-HP [mm]
2	XT8Z6M-Q3SW	2347	*	2	-1.5/+1.5

Assembly #	weight[kg]
BODY	27
TIEBAR	33
PARTS	30

SW 0-84bar		PAGE: 1/2	
Eng. Mgr		DATUM:	REV:
SIG:	AssRev	03.12.15	1
		26.03.19	3
		02.03.21	3-1
		16.09.21	4

AnyChem by Knappe Composites		Pressure Vessels	
XT8Z2M-Q3SW			
Name	XT8Z2M-Q3SW_R4	Scale: none	