

BOM/O-Ring (element adapter excl.)				
Part #	Index	Material	Qty	Dimensions
2-208	1	EPDM	4	1547 x 353
2-213	2	EPDM	4	2339 x 353
2-223	3	EPDM	13	4087 x 353
OR42X4	4	EPDM	2	42x4

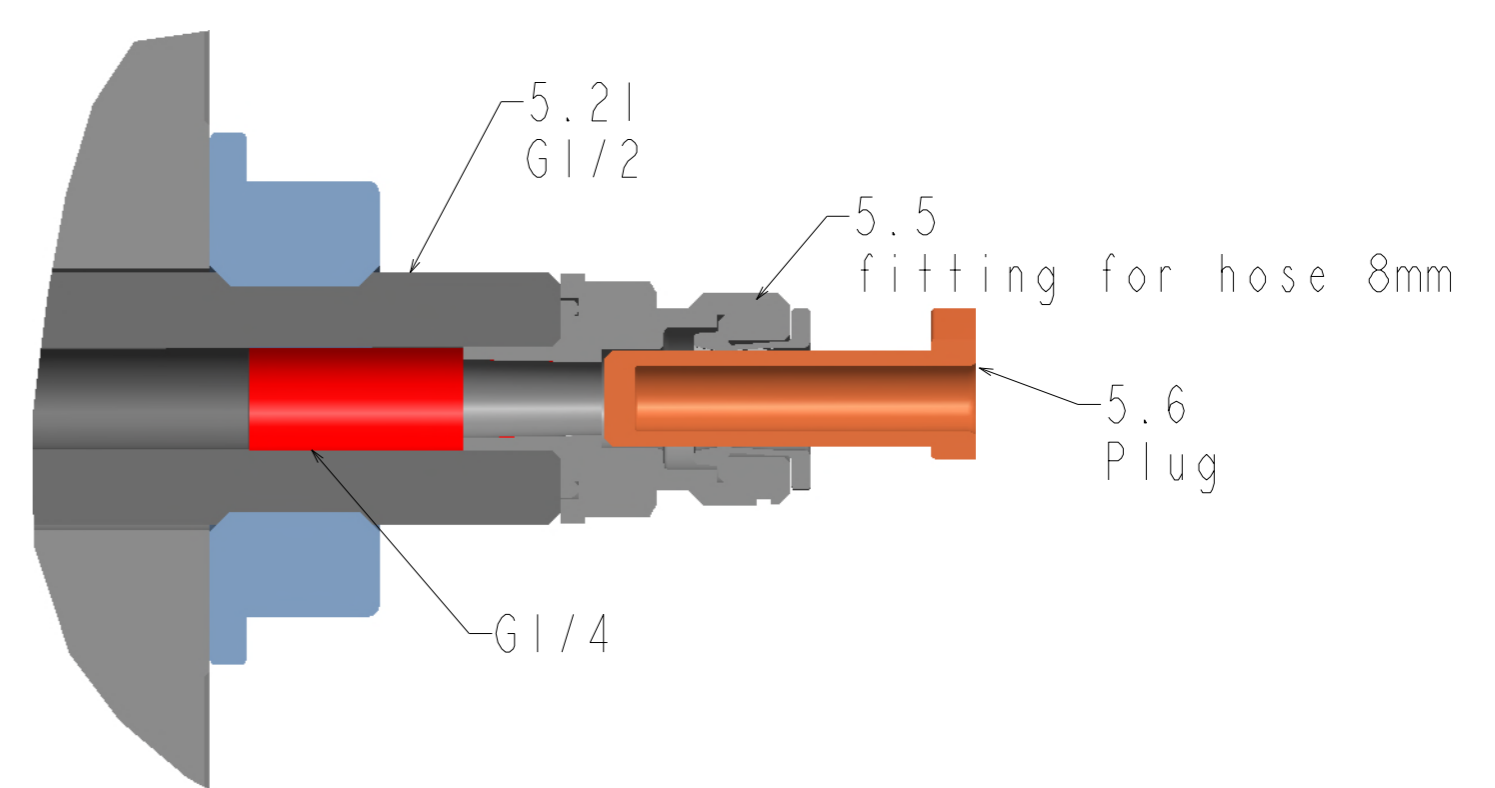
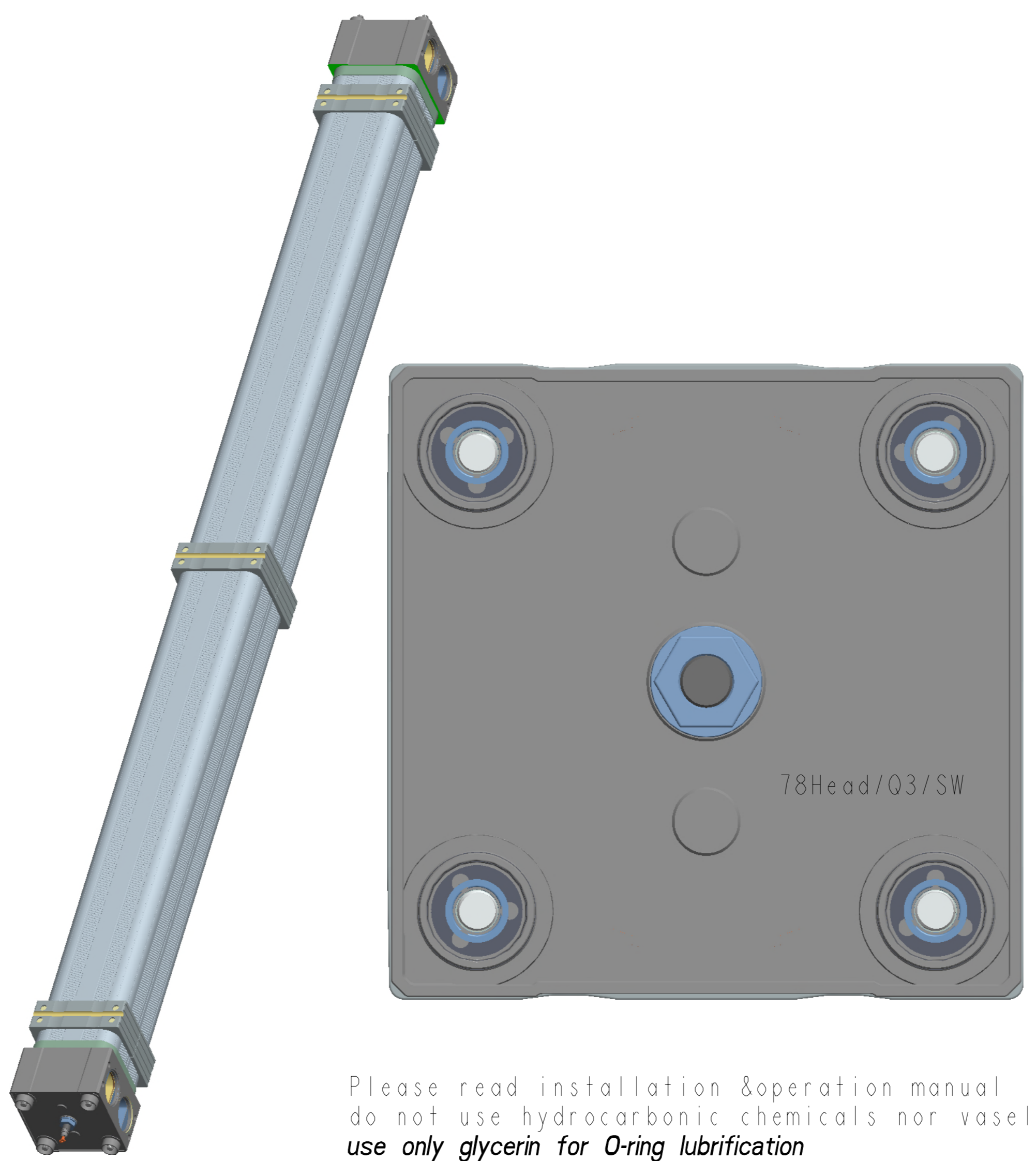
Pos	PART #	PART #	MATERIAL
<b>ELEMENT INTERFACE</b>			
9.1**	78ADQxx		PVC*
9.2**	78ADQxx/C		PVC*
9.3**	78AD_Q3_BPL-Plug		PVC
<b>SUPPORT</b>			
11	78SPACE_XP	Spacer downstream	KNPP_05
11.1	78Space_Q4	diffuser feed	KNPP_05
12	A8Saddle_XT	Saddle	KFN1525

\* possible replacement without notice : PVC with KNPP

A8HEAD_Q3SW				
POS	Part #	Description	Material	Qty
4.10	78BPL/Q3	sealing plate	HIPS	1
4.40	78BPLDIST-Q3	distance plate	RYPP_02	2
5.00	78NUT05Z	nut for compress.bar	PA-GF	1
5.21	78BPL-bar	compress.bar	PPE_PS20	1
5.50	78PSADG1/4	probing 1/4BSP-hose 8mm	POM	1
5.60	78PS8PLUG	plug for probing fitting	POM	1
7.00	78Lip-XT	Lip seal for head	TPE_LTP	1
8.00	78HPint-Q3	internal HP port	PVC	1
8.10	68SEC45PP*	clip ring 45mm (optional)	KNPP_02	1
8.20	78HP/QXDIA*	flow regulator (optional)	PVC	1

A8HEAD_Q3SW-F				
POS	Part #	Description	Material	Qty
4.10	78BPL/Q3	sealing plate	HIPS	1
4.40	78BPLDIST-Q3	distance plate	RYPP_02	2
5.00	78NUT05Z	nut for compress.bar	PA-GF	1
5.20	78BPL-BAR/CL	compression bar	PPE_PS20	1
7.00	78Lip-XT	Lip seal for head	TPE_LTP	1
8.00	78HPint-Q3	internal HP port	PVC	1
8.10	68SEC45PP*	clip ring 45mm (optional)	KNPP_02	1
8.20	78HP/QXDIA*	flow regulator (optional)	PVC	1

\*\* optional (different sizes available)  
 Liner: PVC or PP without notice  
 \*\*\* closed adapter 9.2 & 9.3 can be replaced by open adapter 9.1  
 \*\*\*\* coupler for permeate sampling G1/4in male thread 8mm PE hose



BOM/O-Ring				
Part #	Index	Material	Qty	Dimensions
2-208	1	EPDM	4	1547 x 353
2-213	2	EPDM	4	2339 x 353
2-223	3	EPDM	13	4087 x 353
OR42X4	4	EPDM	2	42x4

Assembly #	weight[kg]
BODY	40
TIEBAR	48
PARTS	30

Max: Working Pressure (bar/PSI)	84/1200
Max. Working Temp. (°C / °F)*	45 / 113
Min. Working Temp. (°C / °F)*	2 / 36
Max Test Pressure acc. (ASME X) (bar/PSI)	92.5/1320

short term steam sanitizing possible

Xtype Q3SW Dimensions - SERIES 8 inch					
Elem.	Vessel #	L-HP [mm]	weight [kg]	saddles [pcs]	Tol L-HP [mm]
3	XT826M-Q3SW	3363		3	-1.5/+1.5

SW 0-84bar

AnyChem by Knappe Composites Pressure Vessels

PAGE: 1/2

XT8Z3M-Q3SW

Name: XT8Z3M-Q3SW\_R4 Scale: none

Eng. Mgr: SIG, AssRev, DATUM: 10.02.17, 26.03.19, 16.09.21, REV: 2, 3, 4

Please read installation & operation manual  
 do not use hydrocarbonic chemicals nor vaseline  
 use only glycerin for O-ring lubrication