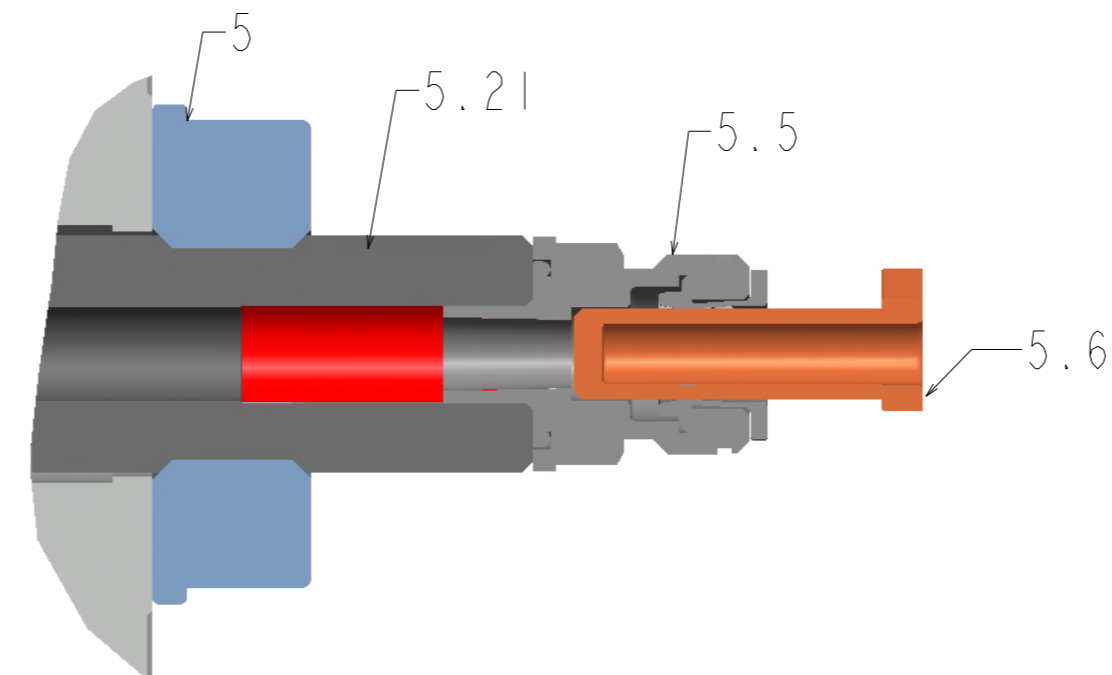
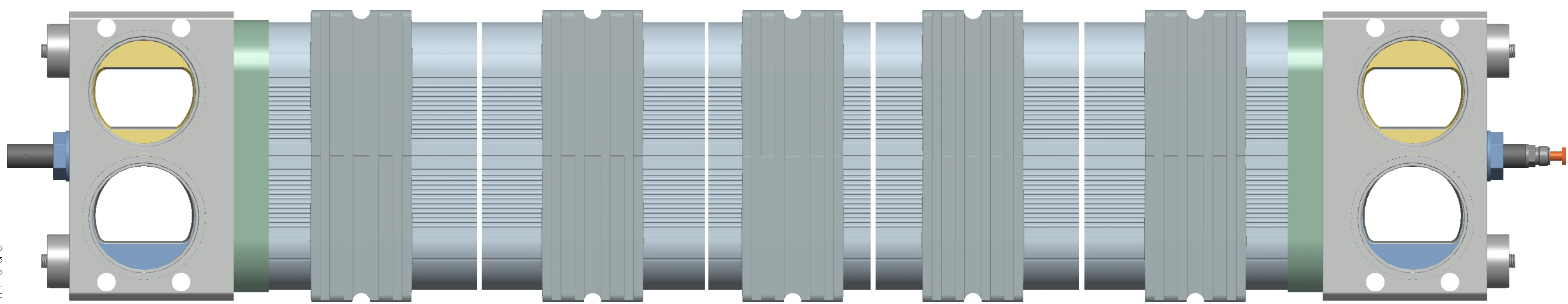


Pos	PART #	BODY	MATERIAL	Qty
0	Shell		HIPS	1
0.1	Reinforcement		FRP	
0.3	Liner		PVC	1
0.4	tie-bars		SS/C45/PP	4
Ports/headcouplers				
	18Portcoup_qx	headcoupler frontal O-ring	KNPP_01/TE	
	18Portcoup_qx/CL	headcoupler straight front	KNPP_01/TE	
	78HPBack/xx	reducerplate for HP-port	PVC	
	78HP-Qx/xin/xW	HP-port :BW 316L / SW 2507	316L	
SUPPORT				
11	78SPACE_XP	Spacer downstream	KNPP_05	
11.1	78Space_Q4	diffuser feed**	KNPP_05	
12	A8Saddle_XT	Saddle	KNPS_05	
* possible replacement without notice : PP or PVC				

POS	Part #	Description	Material	Qty
3.00	Din127_m12	spring washer	SS	4
3.10	Nut DIN934_m12	nut	SS_316L	4
4.10	78BPL/Q3	sealing plate	HIPS	1
4.40	78BPLDIST-Q3	distance plate	RYPPE_02	2
5.00	78NUT05Z	nut for compress.bar	PA-GF	1
5.21	78BPL-bar	compress.bar	PPE_PS20	1
5.50	78PSADG1/4	probing 1/4BSP-hose 8mm	POM	1
5.60	78PS8PLUG	plug for probing fitting	POM	1
7.00	78Lip-XT	Lip seal for head	TPE_LTP	1
8.00	78HPint-Q3	internal HP port	PVC	1
8.10	68SEC45PP*	clip ring 45mm (optional)	KNPP_02	1
8.20	78HP/QXDIA*	flow regulator (optional)	PVC	1

POS	Part #	Description	Material	Qty
3.00	Din127_m12	spring washer	SS	4
3.10	Nut DIN934_m12	nut	SS_316L	4
4.10	78BPL/Q3	sealing plate	HIPS	1
4.40	78BPLDIST-Q3	distance plate	RYPPE_02	2
5.00	78NUT05Z	nut for compress.bar	PA-GF	1
5.20	78BPL-BAR/CL	compression bar	PPE_PS20	1
7.00	78Lip-XT	Lip seal for head	TPE_LTP	1
8.00	78HPint-Q3	internal HP port	PVC	1
8.10	68SEC45PP*	clip ring 45mm (optional)	KNPP_02	1
8.20	78HP/QXDIA*	flow regulator (optional)	PVC	1
9.30	78AD/Q3/XT	P-plug for Q3 head	PVC	1

** optional (different sizes / materials available)
 Liner: PVC or PP without notice
 *** closed adapter 9.2 & 9.3 can be replaced by open adapter 9.1
 **** coupler for permeate sampling G1/4in male thread 8mm PE hose



weights [kg]	
BODY	55
TIEBAR	51
PARTS	28

volume body := 199 L

SCALE 0.400

Max: Working Pressure (bar/PSI)	31/450
Max. Working Temp. (°C / °F)*	45 / 113
Min. Working Temp. (°C / °F)*	2 / 36
Max Test Pressure acc. (ASME X) (bar/PSI)	34.1 / 495

short term steam sanitizing possible

Elem.	Vessel #	Dimensions Xtype Q4-SERIES 8 inch BW			
		L-HP [mm]	weight [kg]	saddles [pcs]	Tol L-HP [mm]
6	XT8Z6M5-Q3BW	6412	table	4	+/-2

BW		PAGE: 1/2	
Eng. Mgr	AssRev	DATUM:	REV:
		05.02.17	2
		22.03.19	3
		26.08.21	4

AnyChem
 by **Knappe Composites**™
 Pressure Vessels

XT8Z6M5-Q3BW

Name: XT8Z6M5-Q3BW4_R4 Scale: none

BOM/O-Ring (element adapter excl.)				
Part #	Index	Material	Qty	Dimensions
2-208	1	EPDM	4	547 x 353
2-213	2	EPDM	4	239 x 353
2-218	3	EPDM	2	334 x 353
2-223	4	EPDM	14	4087 x 353
OR42X4	5	EPDM	2	42x4

Please read installation & operation manual
 do not use hydrocarbonic chemicals nor vaseline
 use only glycerin for O-ring lubrication