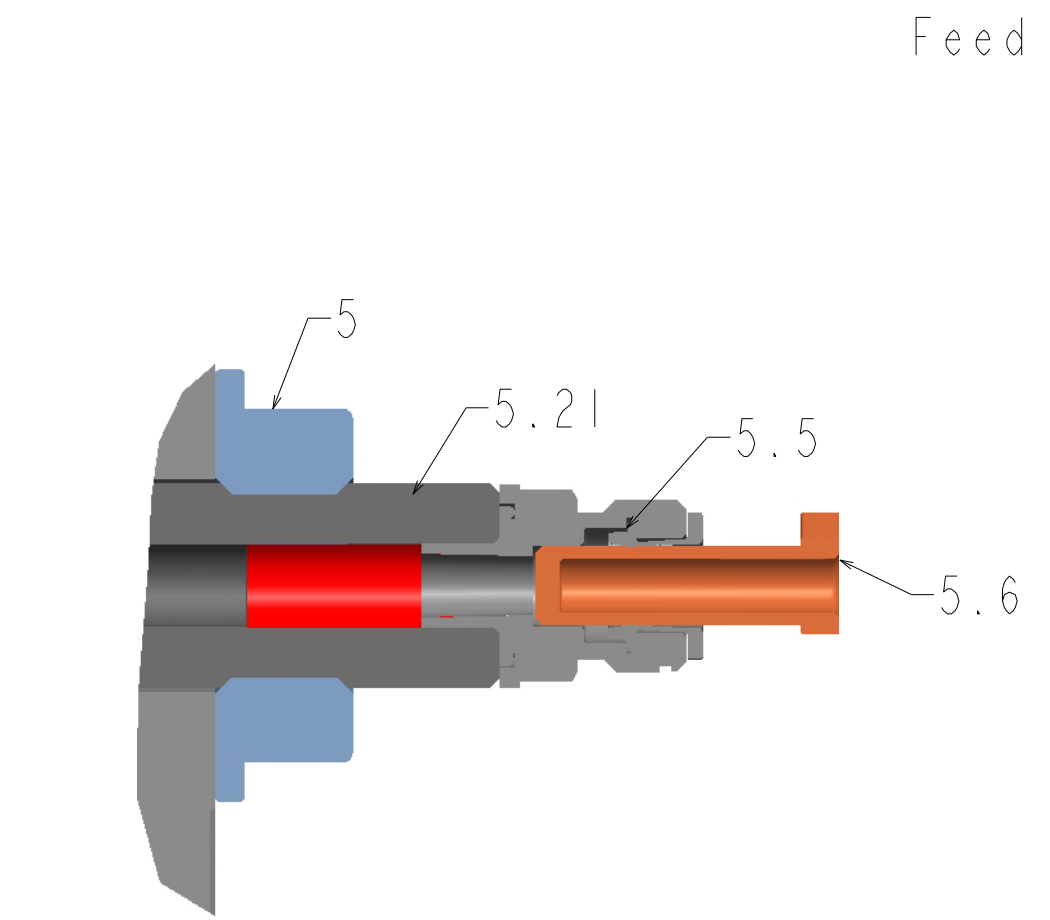


Pos	PART #	PART *	MATERIAL
ELEMENT INTERFACE			
9.1**	78ADQxx		PVC*
9.2**	78ADQxx/C		PVC*
9.3**	78AD_Q3_BPL-Plug		PVC
SUPPORT			
11	78SPACE_XP	Spacer downstream	KNPP_05
11.1	78Space_Q4	diffuser feed	KNPP_05
12	A8Saddle_XT	Saddle	KFN1525
* possible replacement without notice : PVC with KNPP			

A8HEAD_Q3SW				
POS	Part #	Description	Material	Qty
4.10	78BPL/Q3	sealing plate	HIPS	1
4.40	78BPLDIST-Q3	distance plate	RYPP_02	2
5.00	78NUT05Z	nut for compress.bar	PA-GF	1
5.21	78BPL-bar	compress.bar	PPE_PS20	1
5.50	78PSADG1/4	probing 1/4BSP-hose 8mm	POM	1
5.60	78PS8PLUG	plug for probing fitting	POM	1
7.00	78Lip-XT	Lip seal for head	TPE_LTP	1
8.00	78HPint-Q3	internal HP port	PVC	1
8.10	68SEC45PP*	clip ring 45mm (optional)	KNPP_02	1
8.20	78HP/QXDIA*	flow regulator (optional)	PVC	1
A8HEAD_Q3SW-F				
POS	Part #	Description	Material	Qty
4.10	78BPL/Q3	sealing plate	HIPS	1
4.40	78BPLDIST-Q3	distance plate	RYPP_02	2
5.00	78NUT05Z	nut for compress.bar	PA-GF	1
5.20	78BPL-BAR/CL	compression bar	PPE_PS20	1
7.00	78Lip-XT	Lip seal for head	TPE_LTP	1
8.00	78HPint-Q3	internal HP port	PVC	1
8.10	68SEC45PP*	clip ring 45mm (optional)	KNPP_02	1
8.20	78HP/QXDIA*	flow regulator (optional)	PVC	1

Liner: PVC or PP without notice
 * closed adapter 9.3 can be replaced by open adapter 9.1
 coupler for permeate sampling G1/4in male thread
 8mm PE hose



BOM/O-Ring (element adapter excl.)				
Part #	Index	Material	Qty	Dimensions
2-208	1	EPDM	4	1547 x 353
2-213	2	EPDM	4	2339 x 353
2-223	3	EPDM	13	4087 x 353
OR42X4	4	EPDM	2	42x4

Feed and Brine port can be also installed in bottom position

6 module housings:
 * for columns with 5 housings use 5saddles
 one additional saddle is installed in the middle
 use dimensions (1510) in brackets

Max: Working Pressure (bar/PSI)	84/1200
Max. Working Temp. (°C / °F)*	45 / 113
Min. Working Temp. (°C / °F)*	2 / 36
Max Test Pressure acc. (ASME X) (bar/PSI)	92.5/1320

Xtype Q3SW Dimensions - SERIES 8 inch					
Elem.	Vessel #	L-HP [mm]	weight [kg]	saddles [pcs]	Tot L-HP [mm]
6	XT826M-Q3SW	6415		4/5*	47-2

Assembly #	weight[kg]
BODY	76
TIEBAR	91
PARTS	30

SW 0-84bar	PAGE: 1/3
Eng. Mgr	SIG: AssRev
DATUM:	REV:
10.02.18	2
02.03.21	3-1
16.09.21	4

AnyChem
by **Knappe Composites**™ Pressure Vessels

XT8Z6M5-Q3SW

Name	XT8Z6M5-Q3SW_R4	Scale: none
------	-----------------	-------------

Please read installation & operation manual
 do not use hydrocarbonic chemicals nor vaseline
 use only glycerin for O-ring lubrication