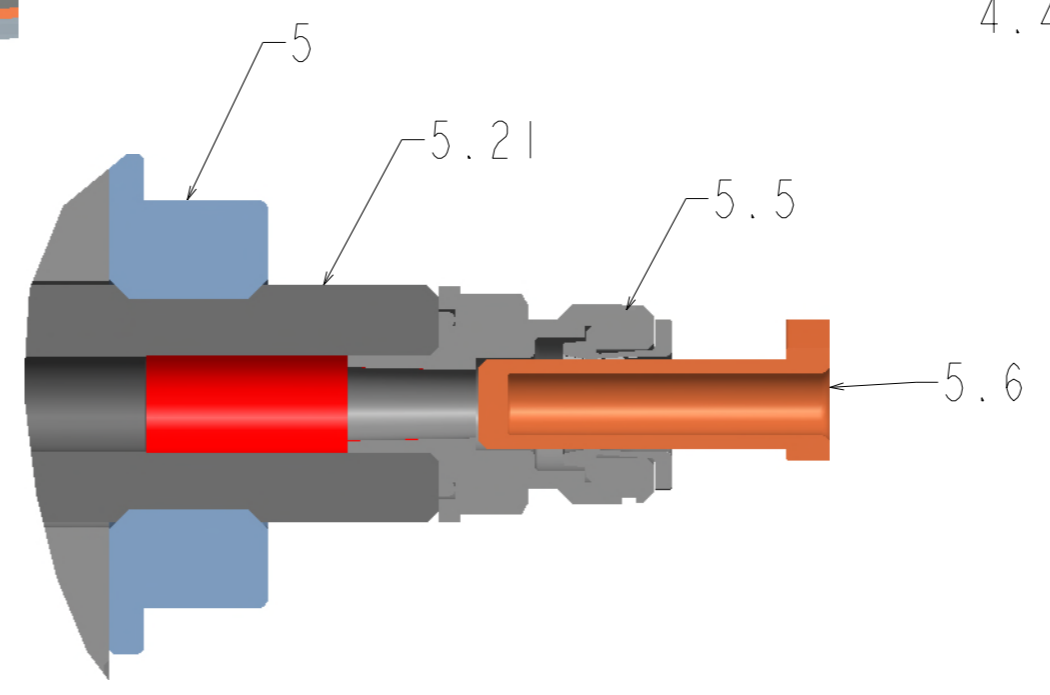
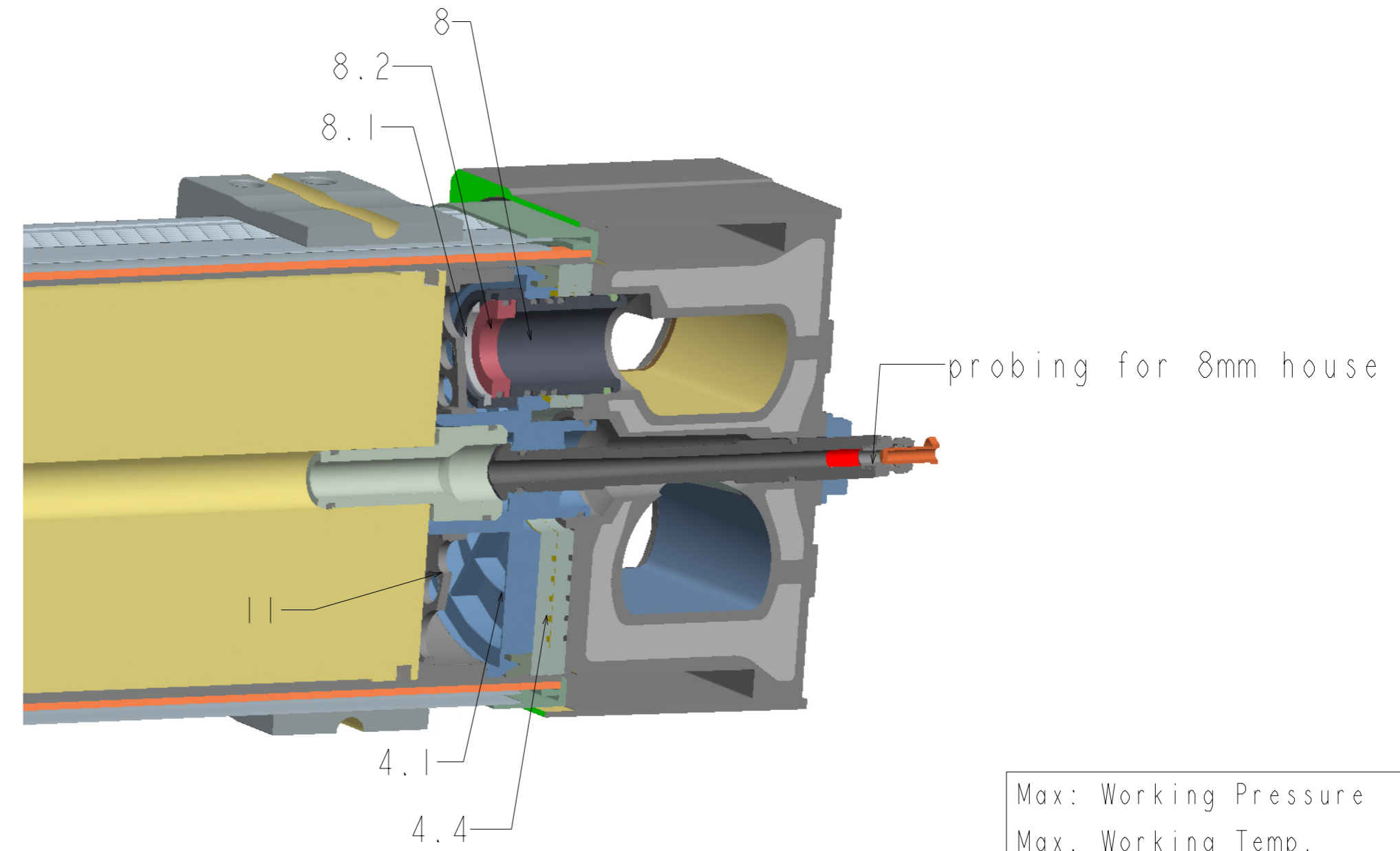
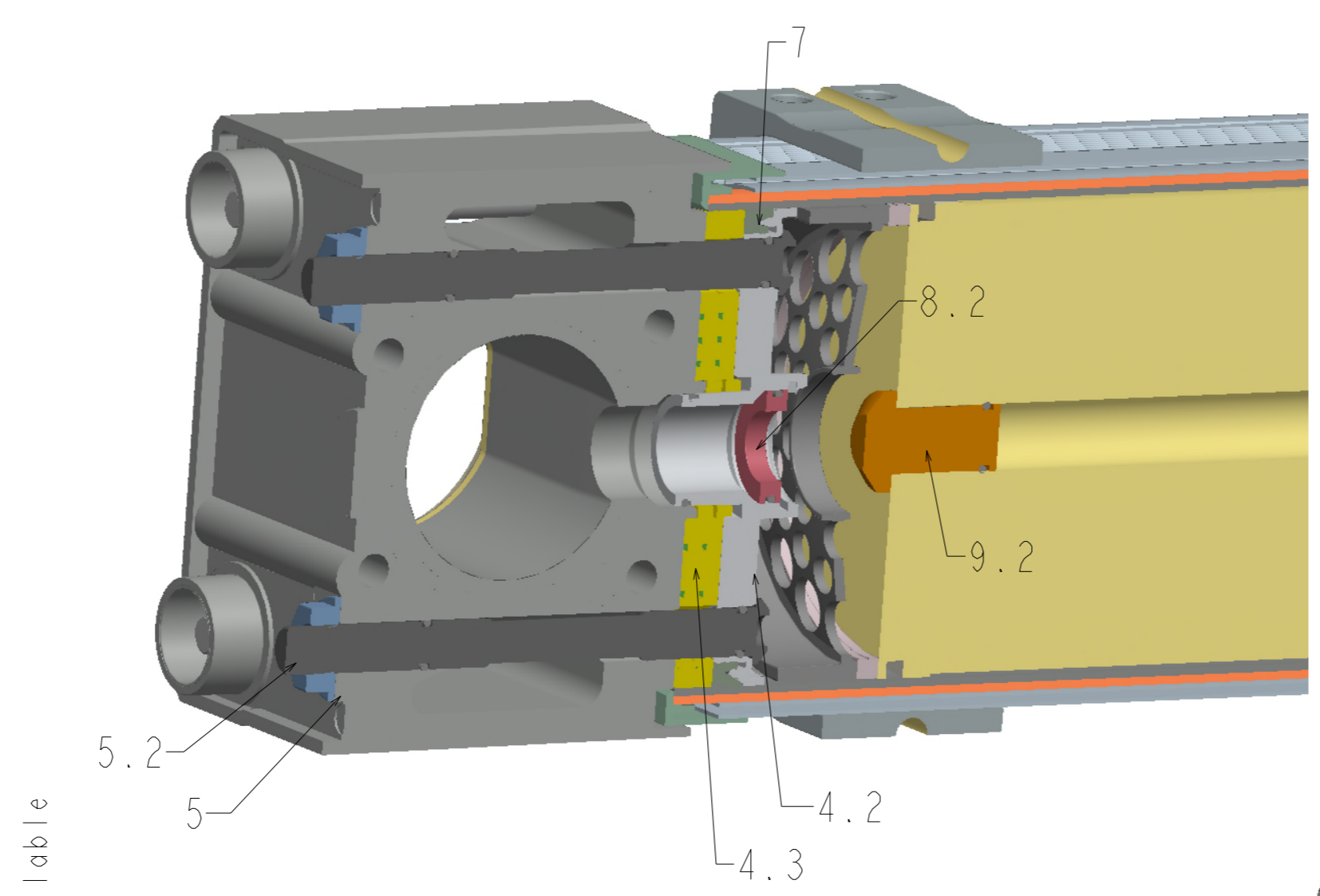


Pos	PART #	PART #	MATERIAL
<b>ELEMENT INTERFACE</b>			
9.1**	78ADQxx		PVC*
9.2**	78ADQxx/C		PVC*
<b>SUPPORT</b>			
11	78SPACE_XP	Spacer downstream	KNPP_05
11.1	78Space_Q4	diffuser feed	KNPP_05
12	A8Saddle_XT	Saddle	KFNI525
* possible replacement without notice : PVC with KNPP			

A8HEAD_Q3SW				
POS	Part #	Description	Material	Qty
4.10	78BPL/Q3	sealing plate	HIPS	1
4.40	78BPLDIST-Q3	distance plate	RYPP_02	2
5.00	78NUT05Z	nut for compress.bar	PA-GF	1
5.21	78BPL-bar	compress.bar	PPE_PS20	1
5.50	78PSADG1/4	probing 1/4BSP-hose 8mm	POM	1
5.60	78PS8PLUG	plug for probing fitting	POM	1
7.00	78Lip-XT	Lip seal for head	TPE_LTP	1
8.00	78HPint-Q3	internal HP port	PVC	1
8.10	68SEC45PP*	clip ring 45mm (optional)	KNPP_02	1
8.20	78HP/QXDIA*	flow regulator (optional)	PVC	1
A8HEAD_Q4SW				
POS	Part #	Description	Material	Qty
4.20	78BPL_Q4	sealing-/backplate Q4	HIPS	1
4.30	78BPLDIST_Q4	distace plate	RYPP_02	2
5.00	78NUT05Z	nut for compress.bar	PA-GF	2
5.20	78BPL-BAR/CL	compression bar	PPE_PS20	2
7.00	78Lip-XT	Lip seal for head	TPE_LTP	1
8.10	68SEC45PP*	clip ring 45mm (optional)	KNPP_02	1
8.20	78HP/QXDIA*	flow regulator (optional)	PVC	1



\*\* optional (different sizes available)  
Liner: PVC or PP without notice

BOM/O-Ring (element adapter excl.)					
Part #	Index	Material	Qty	Dimensions	
2-208	1	EPDM	6	547 x 353	
2-213	2	EPDM	2	2339 x 353	
2-223	3	EPDM	8	4087 x 353	
OR42X4	4	EPDM	1	42x4	

Please read installation & operation manual  
do not use hydrocarbonic chemicals nor vaseline  
use only glycerin for O-ring lubrication

Max: Working Pressure (bar/PSI)	84/1200
Max. Working Temp. (°C / °F)*	45 / 113
Min. Working Temp. (°C / °F)*	2 / 36
Max Test Pressure acc. (ASME X) (bar/PSI)	92.5/1320
short term steam sanitizing possible	

Assembly #	weight[kg]
BODY	27
TIEBAR	33
PARTS	25

Scale	Dimensions Xtype Q4-SERIES 8 inch SW				
	Elem.	Vessel #	L-HP [mm]	weight [kg]	saddles [pcs]
2	XT8Z2M-Q4SW	2360.5	*	2	-1.5/+1.5

SW 0-84bar	PAGE: 1/2
Eng. Mgr	
SIG:	AssRev
	DATUM:
	REV:
	03.12.15
	27.03.19
	02.03.21
	16.09.21
	1
	3
	3-1
	4

**AnyChem** by **Knappe Composites** Pressure Vessels

XT8Z2M-Q4SW

Name: XT8Z2M-Q4SW\_R4 Scale: none