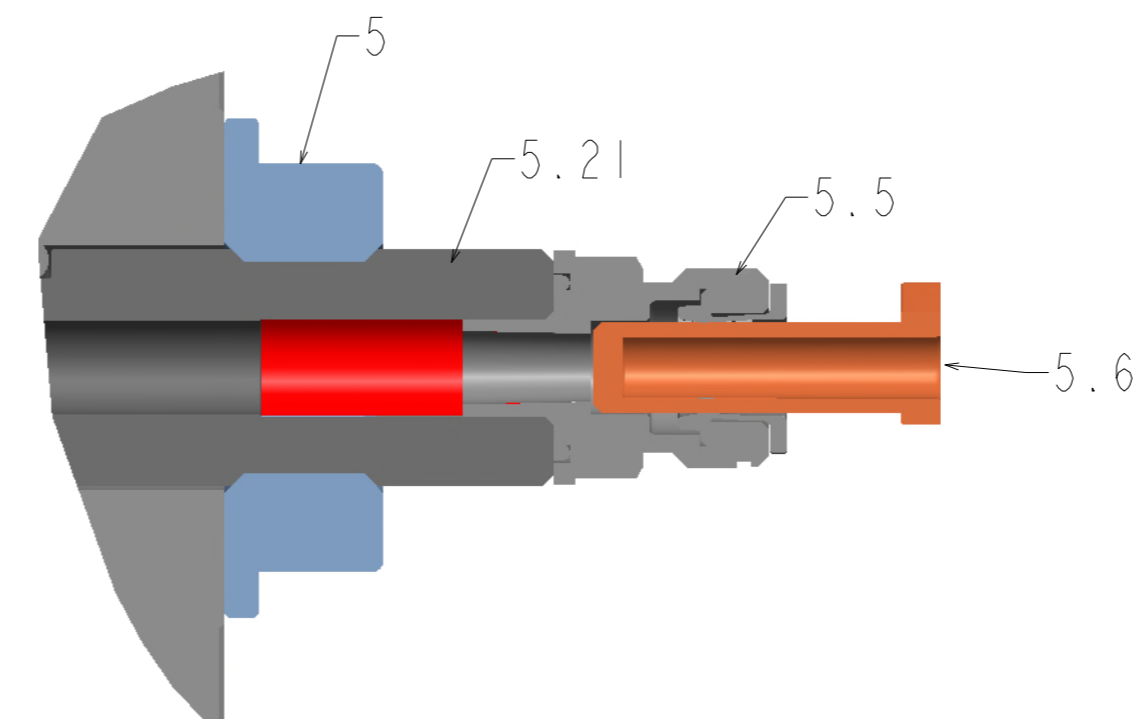
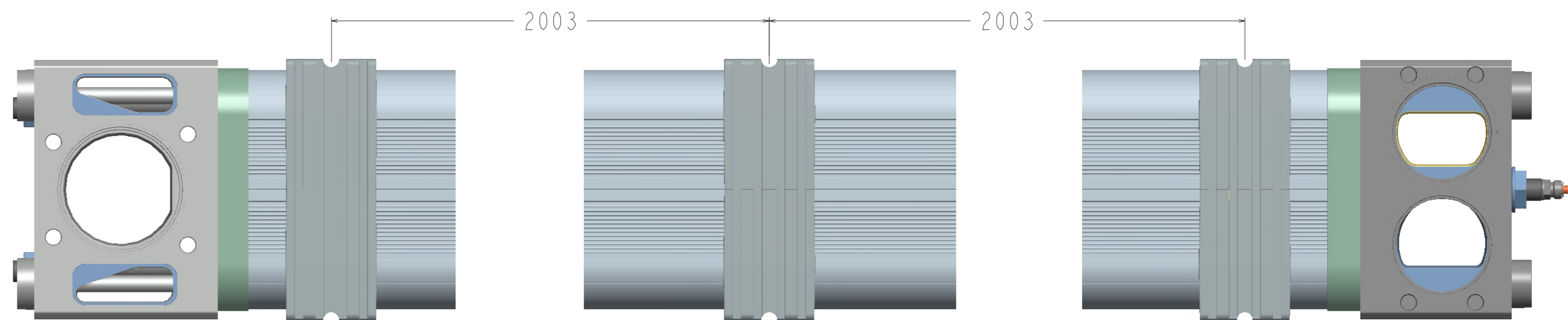


SEE DETAIL A

5.21 +  
probing for 8mm hose  
(other options available)



\*\* optional (different sizes available)  
Liner: PVC or PP without notice  
\*\*\* coupler for permeate sampling GI/4in male thread  
8mm PE hose

BOM/O-Ring (element adapter excl.)					
Part #	Index	Material	Qty	Dimensions	
2-208	1	EPDM	6	15.47 x 353	
2-213	2	EPDM	2	23.39 x 353	
2-223	3	EPDM	8	40.87 x 353	
OR42X4	4	EPDM	1	42x4	

Please read installation & operation manual  
do not use hydrocarbonic chemicals nor vaseline  
use only glycerin for O-ring lubrication

Pos	PART #	PART #	MATERIAL
<b>ELEMENT INTERFACE</b>			
9.1**	78ADQxx		PVC*
9.2**	78ADQxx/C		PVC*
<b>SUPPORT</b>			
11	78SPACE_XP	Spacer downstream	KNPP_05
11.1	78Space_Q4	diffuser feed	KNPP_05
12	A8Saddle_XT	Saddle	KFNI525

\* possible replacement without notice : PVC with KNPP

A8HEAD_Q3SW				
POS	Part #	Description	Material	Qty
4.10	78BPL/Q3	sealing plate	HIPS	1
4.40	78BPLDIST-Q3	distance plate	RYPP_02	2
5.00	78NUT05Z	nut for compress.bar	PA-GF	1
5.21	78BPL-bar	compress.bar	PPE_PS20	1
5.50	78PSADGI/4	probing 1/4BSP-hose 8mm	POM	1
5.60	78PS8PLUG	plug for probing fitting	POM	1
7.00	78Lip-XT	Lip seal for head	TPE_LTP	1
8.00	78HPint-Q3	internal HP port	PVC	1
8.10	68SEC45PP*	clip ring 45mm (optional)	KNPP_02	1
8.20	78HP/QXDIA*	flow regulator (optional)	PVC	1

A8HEAD_Q4SW				
POS	Part #	Description	Material	Qty
4.20	78BPL_Q4	sealing-/backplate Q4	HIPS	1
4.30	78BPLDIST_Q4	distace plate	RYPP_02	2
5.00	78NUT05Z	nut for compress.bar	PA-GF	2
5.20	78BPL-BAR/CL	compression bar	PPE_PS20	2
7.00	78Lip-XT	Lip seal for head	TPE_LTP	1
8.10	68SEC45PP*	clip ring 45mm (optional)	KNPP_02	1
8.20	78HP/QXDIA*	flow regulator (optional)	PVC	1

Max: Working Pressure (bar/PSI)	84/1200
Max. Working Temp. (°C / °F)*	45 / 113
Min. Working Temp. (°C / °F)*	2 / 36
Max Test Pressure acc. (ASME X) (bar/PSI)	92.5/1320

short term steam sanitizing possible

Elem.	Dimensions Xtype Q4-SERIES 8 inch SW				
	Vessel #	L-HP [mm]	weight [kg]	saddles [pcs]	Tol L-HP [mm]
40in	XT8Z4M-Q4SW	4394.5		3	-1.5/+1.5

Assembly #	weight[kg]
BODY	51
TIEBAR	62
PARTS	25

SW 0-84bar		PAGE: 1/2	
Eng. Mgr	SIG:	AssRev	REV:
		DATUM:	REV:
		10.02.17	2
		27.03.19	3
		02.03.21	3-1
		16.09.21	4

**AnyChem**  
by  
**Knappe Composites**™

Pressure Vessels

XT8Z4M-Q4SW

Name	XT8Z4M-Q4SW_R4	Scale: none
------	----------------	-------------