

Pos	PART #	PART #	MATERIAL
ELEMENT INTERFACE			
9.1**	78ADQxx		PVC*
9.2**	78ADQxx/C		PVC*
SUPPORT			
11	78SPACE_XP	Spacer downstream	KNPP_05
11.1	78Space_Q4	diffuser feed	KNPP_05
12	A8Saddle_XT	Saddle	KFNI525

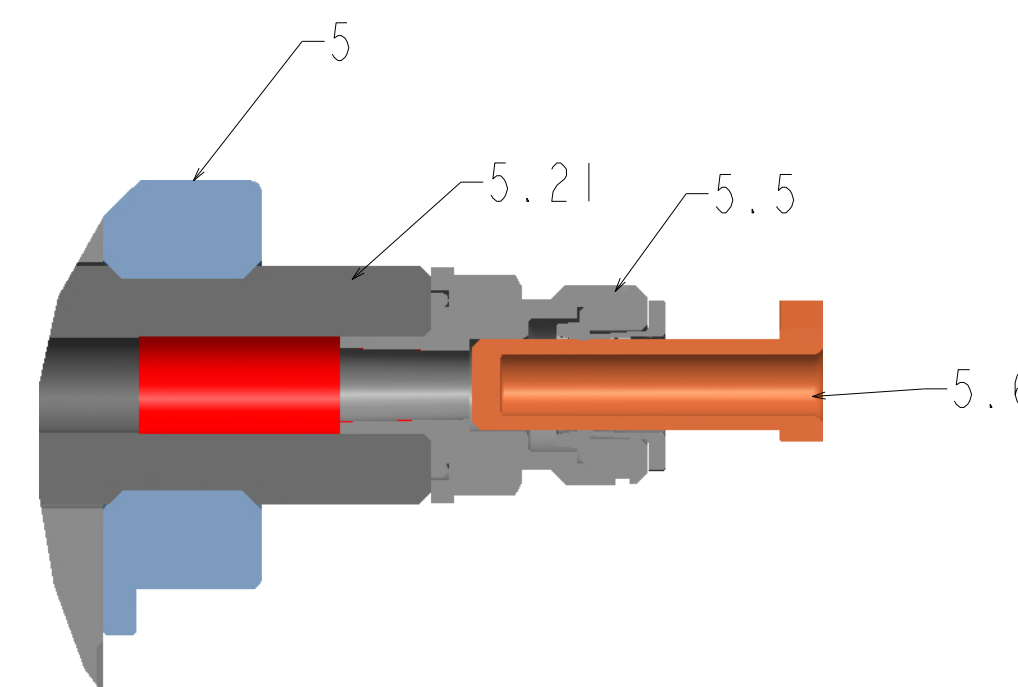
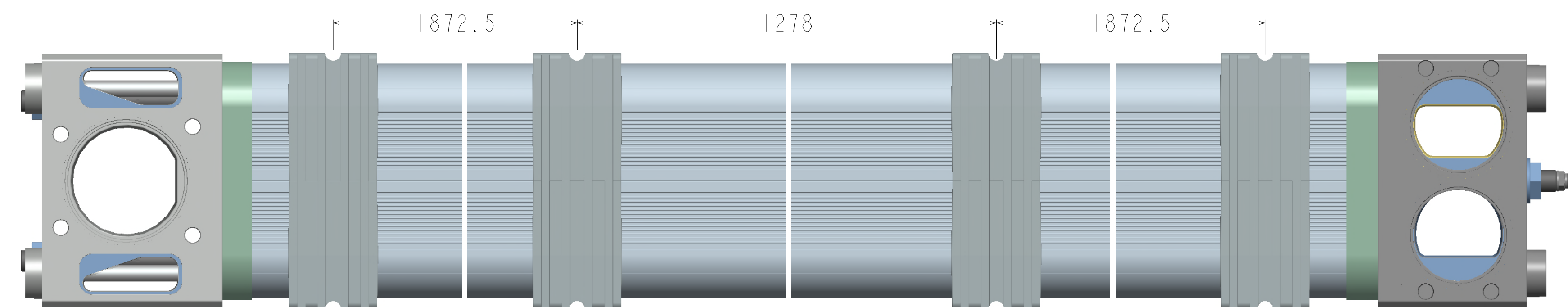
* possible replacement without notice : PVC with KNPP

A8HEAD_Q3SW				
POS	Part #	Description	Material	Qty
4.10	78BPL/Q3	sealing plate	HIPS	1
4.40	78BPLDIST-Q3	distance plate	RYPPE_02	2
5.00	78NUT05Z	nut for compress.bar	PA-GF	1
5.21	78BPL-bar	compress.bar	PPE_PS20	1
5.50	78PSADG1/4	probing 1/4BSP-hose 8mm	POM	1
5.60	78PS8PLUG	plug for probing fitting	POM	1
7.00	78Lip-XT	Lip seal for head	TPE_LTP	1
8.00	78HPint-Q3	internal HP port	PVC	1
8.10	68SEC45PP*	clip ring 45mm (optional)	KNPP_02	1
8.20	78HP/QXDIA*	flow regulator (optional)	PVC	1

A8HEAD_Q4SW				
POS	Part #	Description	Material	Qty
4.20	78BPL_Q4	sealing-/backplate Q4	HIPS	1
4.30	78BPLDIST_Q4	distace plate	RYPPE_02	2
5.00	78NUT05Z	nut for compress.bar	PA-GF	2
5.20	78BPL-BAR/CL	compression bar	PPE_PS20	2
7.00	78Lip-XT	Lip seal for head	TPE_LTP	1
8.10	68SEC45PP*	clip ring 45mm (optional)	KNPP_02	1
8.20	78HP/QXDIA*	flow regulator (optional)	PVC	1

** optional (different sizes / materials available)
Liner: PVC or PP without notice

*** closed adapter 9.2 & 9.3 can be replaced by open adapter 9.1
**** coupler for permeate sampling G1/4in male thread 8mm PE hose



BOM/O-Ring (element adapter excl.)				
Part #	Index	Material	Qty	Dimensions
2-208	1	EPDM	6	547 x 353
2-213	2	EPDM	2	2339 x 353
2-223	3	EPDM	8	4087 x 353
OR42X4	4	EPDM	1	42x4

Please read installation & operation manual
do not use hydrocarbonic chemicals nor vaseline
use only glycerin for O-ring lubrication

Max: Working Pressure (bar/PSI)	84/1200
Max. Working Temp. (°C / °F)*	45 / 113
Min. Working Temp. (°C / °F)*	2 / 36
Max Test Pressure acc. (ASME X) (bar/PSI)	92.5/1320

short term steam sanitizing possible

Elem.	Vessel #	Dimensions Xtype Q4-SERIES 8 inch SW			
		L-HP [mm]	weight [kg]	saddles [pcs]	Tol L-HP [mm]
40in	6	5413.5		4	+/-2

Assembly #	weight[kg]
BODY	63
TIEBAR	76
PARTS	25

SW 0-84bar	PAGE: 1/2
Eng. Mgr	
SIG:	AssRev
	DATUM:
	REV:
	08.05.18
	27.03.19
	02.03.21
	16.09.21
	2
	3
	3-1
	4

AnyChem by Knappe Composites		Pressure Vessels
XT8Z5M-Q4SW		
Name	XT8Z5M-Q4SW_R4	Scale: none